

TMH19

series



Product Segments

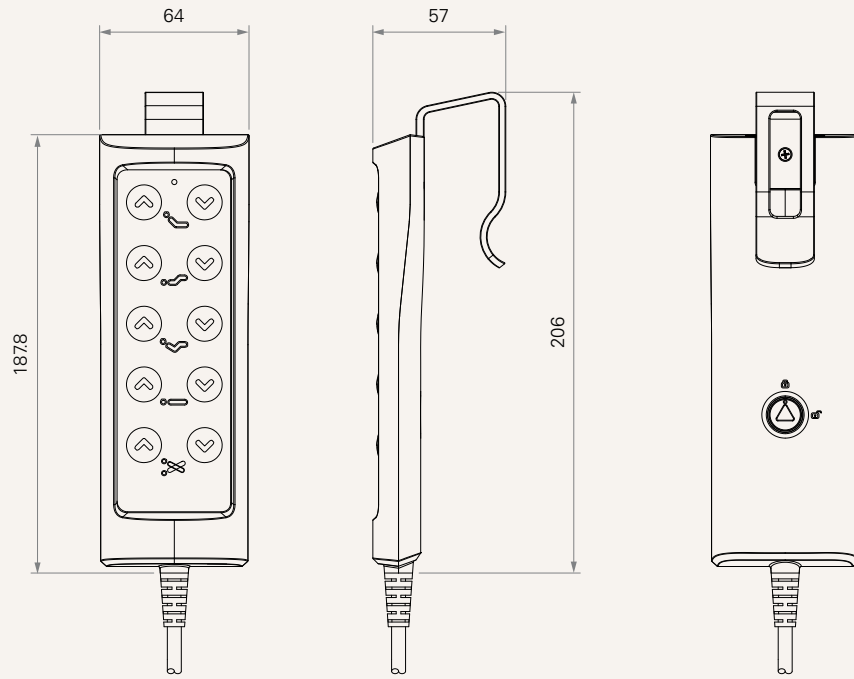
- **Care Motion**

General Features

Number of motors	1~5
Max. available buttons	10
Color	Grey
IP rating	IP66
Options	Hook
Safety key	Available
Operational temperature range	+5°C~+45°C

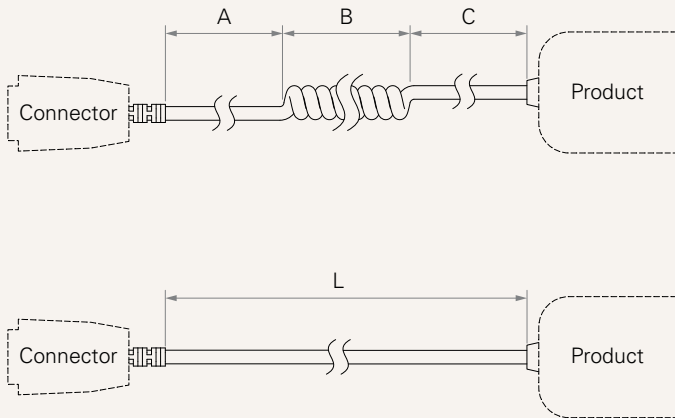
Drawing

Standard Dimensions
(mm)



MCU	0 = Without		
Control Box Type	0 = Without MCU	1 = With MCU control box	
Communication Type	2 = Switch type	4 = Duel-direction scan type	
PCBA	1 = Standard	2 = Power saving	
Number of Actuator	1 = 1 2 = 2	3 = 3 4 = 4	5 = 5
Button Definition	XX = XX Note: please contact TiMOTION before making an order		
Backlight	0 = Without		
Safety Key	0 = Without	1 = With	
Plug	4 = DIN 8P	5 = RJ 10P	
Plug Angle	1 = 90°	2 = 180°	
Cable Length (mm)	1~6 = 1~6 See page 4		
Color	2 = Pantone 428C		
Hook	0 = Without	5 = Standard	
IP Rating	1 = Without	2 = IP54	3 = IP66

Cable Length



Cable Section (mm)

CODE	A	B	C	L
1	1000	300	200	-
2	1200	300	300	-
3	1400	300	400	-
4	0	0	0	2400
5	100	600	100	-
6	1000	200	200	-

Terms of Use

The user is responsible for determining the suitability of TiMOTION products for a specific application. TiMOTION products are subject to change without prior notice.