

TMH7

series



Product Segments

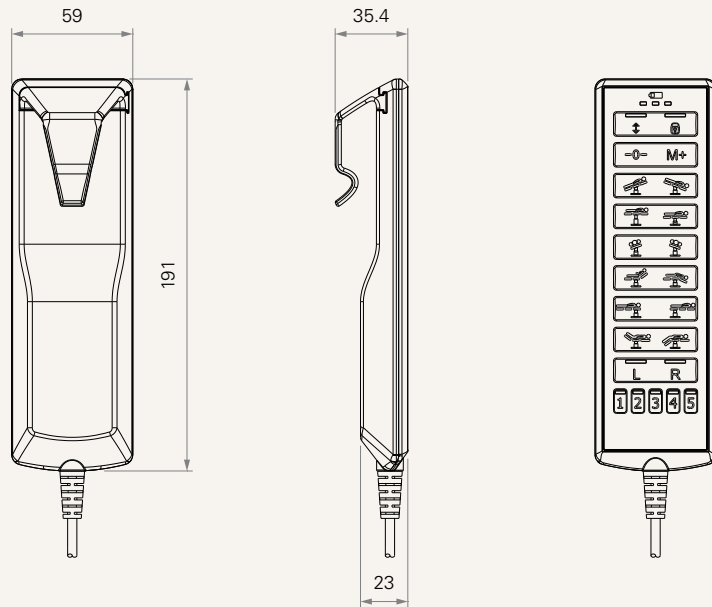
• Care Motion

General Features

Number of motors	1~9
Max. available buttons	23
Color	Upper/lower cover: white or grey
IP rating	IP66
Options	Back light, hook
Operational temperature range	+5°C~+45°C

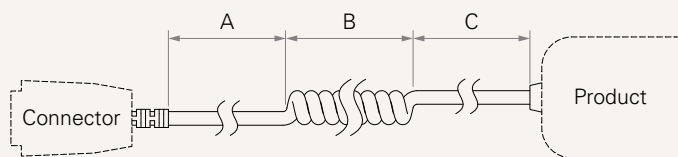
Drawing

Standard Dimensions
(mm)



MCU	1 = With			
Control Box Type	1 = With MCU			
Number of Actuators	6 = 6	7 = 7	8 = 8	9 = 9
Button Definition	See appendix* Note: please contact TIMOTION before making an order			
Back Light	1 = With			
Plug	5 = RJ 10P			
Angle of Plug	1 = 90°	2 = 180°		
Cable Length (mm)	1 = Straight, 1000 2 = Straight, 1500 3 = Straight, 2000 4 = Straight, 4000	5 = Curry, A: 1000; B:300; C:200 6 = Curry, A: 1200; B:300; C:300 7 = Curry, A: 1000; B:200; C:200		
Hook	1 = With			
IP Rating	2 = IP54	3 = IP66		
Hook	1 = Upper cover: White S; Lower cover: Patone 428C 2 = Upper cover: White S; Lower cover: White S	3 = Upper cover: Patone 428C ; Lower cover: Patone 428C		

Cable Length



Cable Section (mm)			
CODE	A	B	C
1	1000	300	200
2	1200	300	300
3	1000	200	200

Terms of Use

The user is responsible for determining the suitability of TiMOTION products for a specific application. TiMOTION products are subject to change without prior notice.