

# TNP7

series



## Product Segments

- **Care Motion**

The TNP7 is a membrane switch, suitable for medical bed applications such as home care beds, that can be integrated into the bedside rails. It can be easily customized according to the customer's needs.

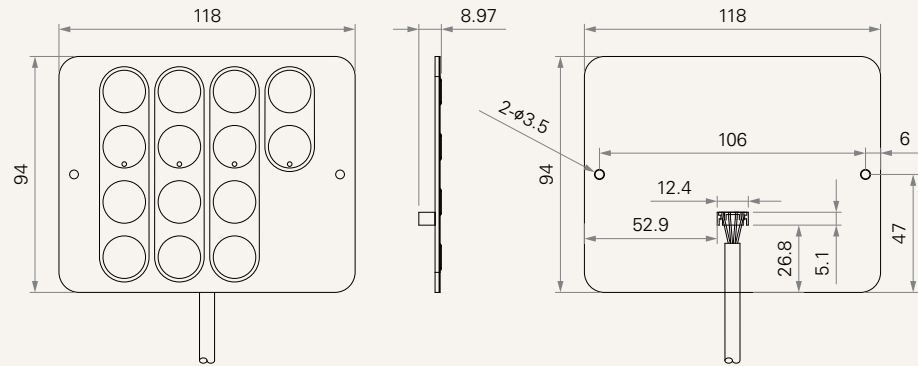
The TNP7 can support up to 14 buttons and 5 LED indicator lights.

### General Features

Max. available buttons	14
------------------------	----

**Drawing**

Standard Dimensions  
(mm)

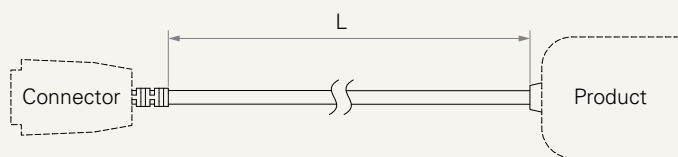


## TNP7

Version: 20220530-B

<b>MCU</b>	1 = With	
<b>Control Box Type</b>	1 = With MCU	
<b>Communication Type</b>	6 = T-BUS	
<b>Plug</b>	5 = RJ 10P	9 = Tinned leads
<b>Cable Length</b>	<a href="#">See page 4</a>	
<b>IP Rating</b>	0 = Without	

## Cable Length



Cable Section (mm)				
CODE	A	B	C	L
1	0	0	0	1000
2	0	0	0	1500
3	0	0	0	2000

## Terms of Use

The user is responsible for determining the suitability of TiMOTION products for a specific application. TiMOTION products are subject to change without prior notice.