

# TP11

series



## Product Segments

- **Comfort Motion**

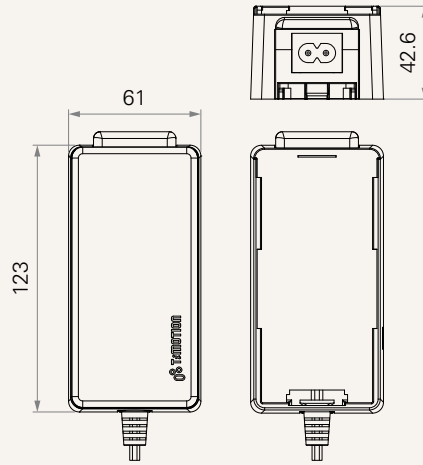
The TP11 is a unique power supply with an optional battery pack in addition to the AC power source. The battery pack will recharge automatically when connected to the AC power. The TP11 is equipped with a SMPS transformer and provides optional universal plugs. Customers can easily change the AC plugs when being used in different countries.

### General Features

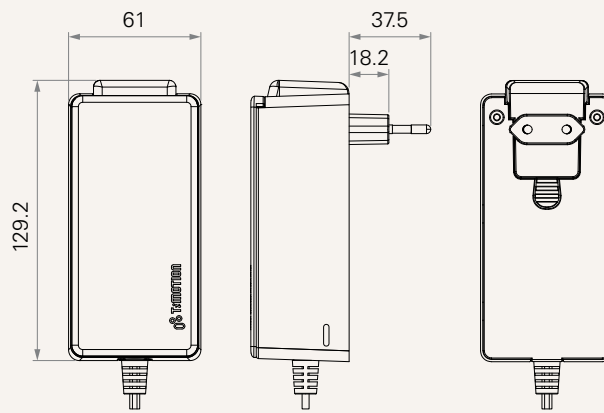
Transformer type	SMPS
Input voltage	100~240V AC
Max. output	29V DC, 5A
Plug support	EU, USA, AUS, UK
Color	Black
Options	Multiple wall mount plugs, backup battery
Operational temperature range	+5°C~+45°C

**Drawing**

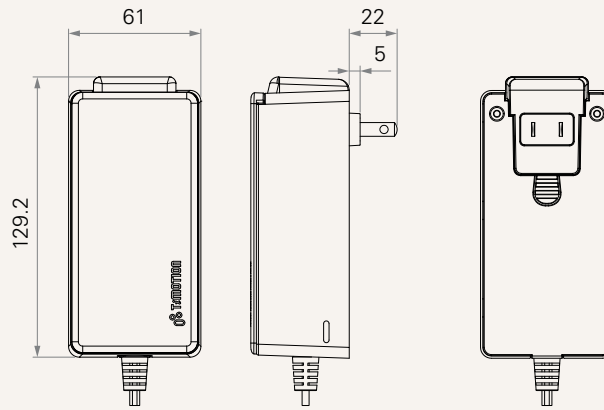
Standard Dimensions  
(mm)



AC Plug - EU  
(mm)

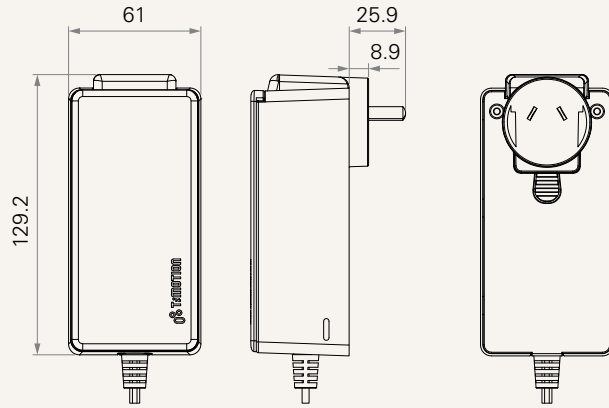


AC Plug - US  
(mm)

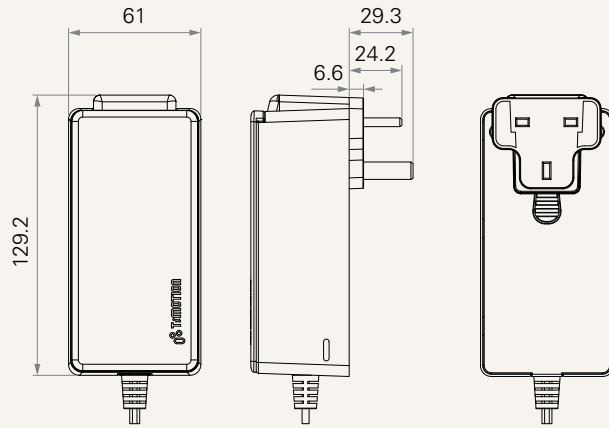


**Drawing**

AC Plug - AU  
(mm)



AC Plug - UK  
(mm)



<b>AC plug</b>	0 = Without 1 = EU	2 = US 3 = AU	4 = UK
<b>AC Input Connector (mm)</b>	0 = Without W = Wall mount plug	1 = Straight cable, 1000 2 = Straight cable, 2000	3 = Straight cable, 3000
<b>AC Plug / Cable Angle</b>	0 = Without	1 = 90°	2 = 180°
<b>DC Output Connector (Socket)</b>	1 = Long DIN 5P	2 = Small 01P	
<b>DC Output Cable Length (mm)</b>	0 = Without	1 = Straight, 1000	4 = Straight, 300
<b>Backup Battery Pack</b>	0 = Without 2 = Two 9V battery connection ports, with two 9V batteries 3 = 3* 9V dry battery pack		4 = Two 9V battery connection ports, without battery 5 = Three 9V battery connection ports, without battery 7 = Li-ion battery pack
<b>Color</b>	1 = Black		
<b>IP rating</b>	1 = Without		

---

## Transformer Spec

<b>Transformer Model</b>	SMPS-TP11, 29V/2.0A
<b>Rated Input Voltage</b>	100-240VAC
<b>Rated Output Voltage</b>	29V
<b>Rated Output Current</b>	2.0A
<b>Maximum Output Current</b>	5.0A

---

## Li-ion Battery Spec

<b>Capacity</b>	10.8V/1500mAh
<b>Input</b>	12.6V DC/0.5A
<b>Output</b>	24V DC/1.5A

---

## Terms of Use

The user is responsible for determining the suitability of TiMOTION products for a specific application. TiMOTION products are subject to change without prior notice.