

TP5P

series



Product Segments

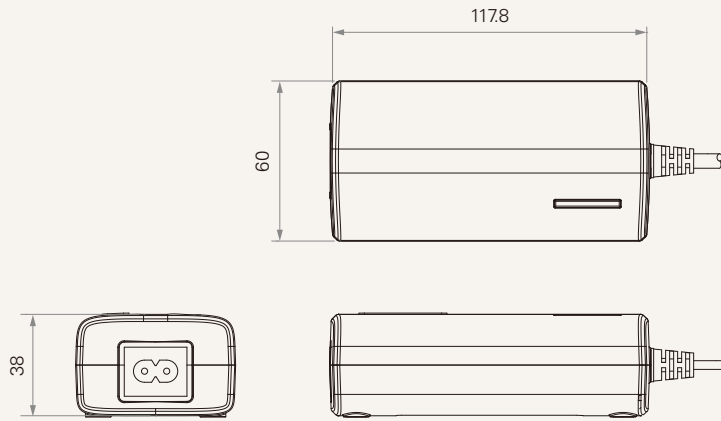
- **Comfort Motion**

General Features

Transformer type	SMPS
Input voltage	100~240V AC
Max. output	29V DC, 5A
Plug support	EU, USA, AUS, UK, JPN
Color	Black or grey
Certificate	UL, ACMA, PSE, SAA
Operational temperature range	+5°C~+45°C

Drawing

Standard Dimensions
(mm)



Plug	1 = EU 2 = USA	3 = AUS 4 = UK	5 = JPN
Color	1 = Black	2 = Pantone 428C	
AC Cable Length (mm)	0 = Without 1 = Straight, 1000	2 = Straight, 2000 3 = Straight, 3000	4 = Straight, 4000 7 = Straight, 1500
DC Cable Length (mm)	8 = Straight, 200		
DC Socket	3 = Long DIN 5P	8 = Small 01P	

Terms of Use

The user is responsible for determining the suitability of TiMOTION products for a specific application. TiMOTION products are subject to change without prior notice.