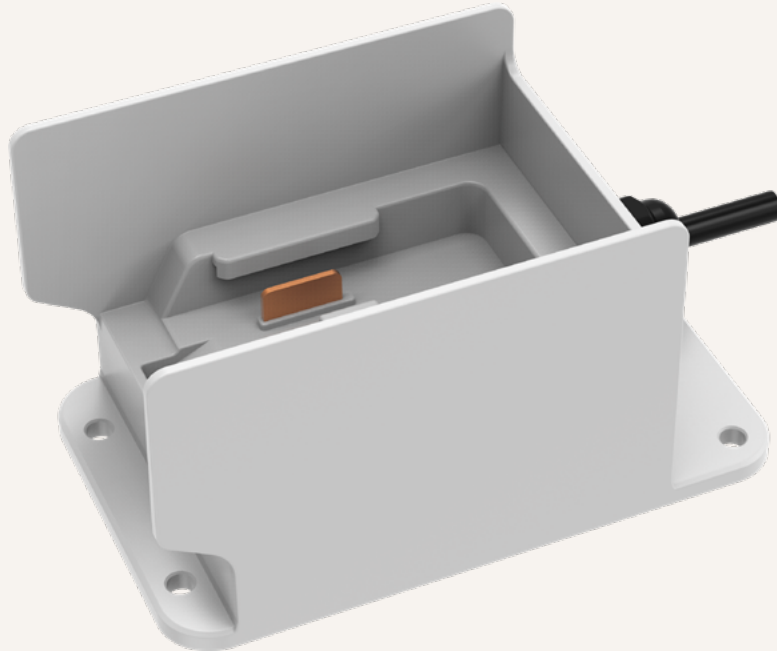


TSB2

series



Product Segments

- **Industrial Motion**

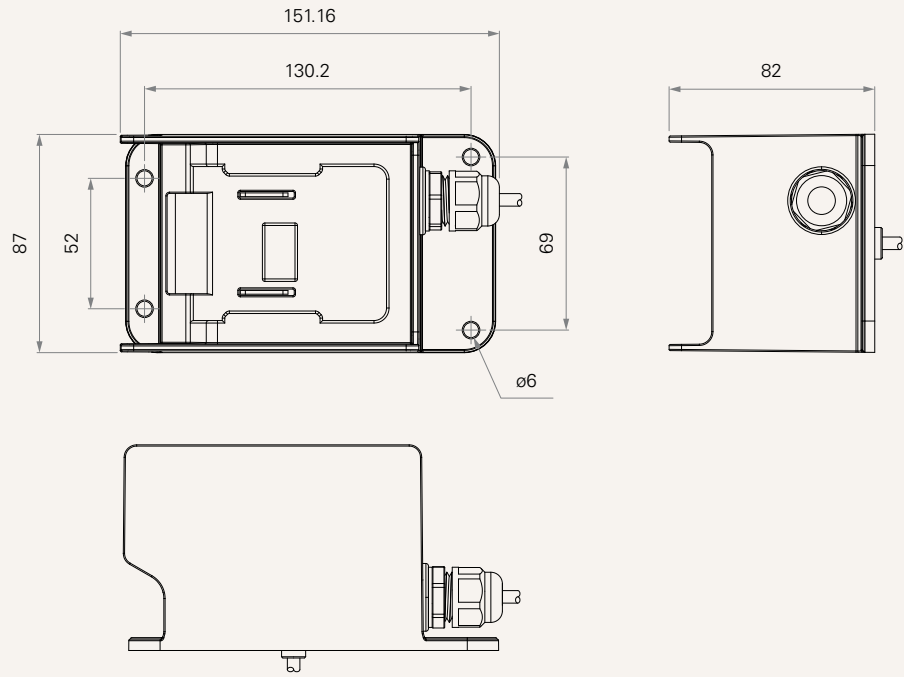
TiMOTION's TSB2 is a battery cradle compatible with an 18V Li-ion rechargeable battery. It can supply battery power to the actuator while the power indicator reveals the battery level.

General Features

- IP66
- LED indication

Drawing

Standard Dimensions
(mm)



TSB2

Version: 20210622-A

Voltage	1 = 18V DC
Color	1 = Black, standard 2 = Pantone Cool Grey 9C
IP Rating	1 = Without 2 = IP66
Cable Outlet & Length - DC Output	1 = 4* .250 blade connector; cable: straight, 1500mm
Accessory - DC Output	1 = Rocker switch assembly; cable: straight, 1500mm
Cable Outlet & Length - I/O Port	1 = Socket with wires; cable: straight, 1500mm
Accessory - I/O Port	1 = Pushbutton switch, without cable

Terms of Use

The user is responsible for determining the suitability of TiMOTION products for a specific application. TiMOTION products are subject to change without prior notice.