

# TWD2

series



---

## Product Segments

- **Industrial Motion**

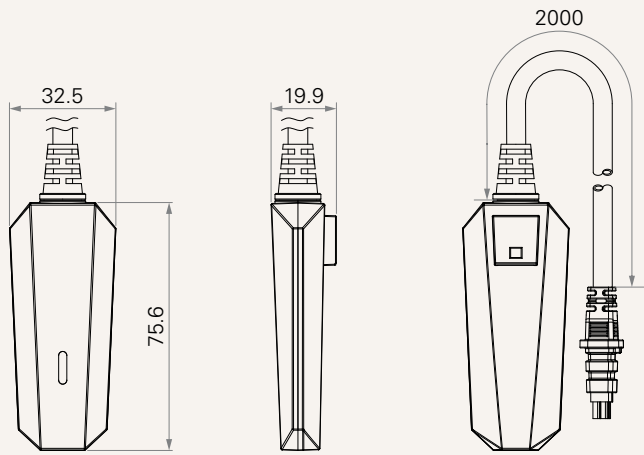
The TWD2 is designed as an RF receiver for industrial applications. This receiver is compatible with wireless hand controls to control actuator movements. TWD2 currently only supports the industrial actuator-MA2T.

### General Features

IP rating Up to IP69K  
A wireless dongle with Bluetooth functionality.

**Drawing**

Standard Dimensions  
(mm)



## TWD2

Version: 20190422-A

<b>Protocol</b>	3 = Bluetooth 2.4G			
<b>Color</b>	1 = Black	2 = Grey (Pantone 428C)		
<b>Cable Length</b>	1 = Straight, 500	2 = Straight, 1000		
<b>Plug</b>	5 = Molex 4P, 180°			
<b>LED Indicator</b>	1 = Without	2 = IP54	3 = IP66	8 = IP69K

### Terms of Use

The user is responsible for determining the suitability of TiMOTION products for a specific application. TiMOTION products are subject to change without prior notice.