



Custom Designed  
for Height  
Adjustable Solutions

# ERGO MOTION





# 99%

of TiMOTION's customer application requirements can be solved by our experienced personnel providing highly customized solutions.

# 101%

TiMOTION guarantees complete customer satisfaction by providing a competitive packaged actuator solution coupled with a wide range of high-quality products, global service networks and "on-demand" R&D resources.

Two Leg Frame Kits

# TEK22

## series

Dual Motor Desk Frame

**Max. load**

Up to 200kg\*

**Constant speed**

2-Stage Column: Up to 33mm/s\*

3-Stage Column: Up to 40mm/s\*

**Frame dimensions (mm)**

Width 1050~1700

**Frame height (mm)**

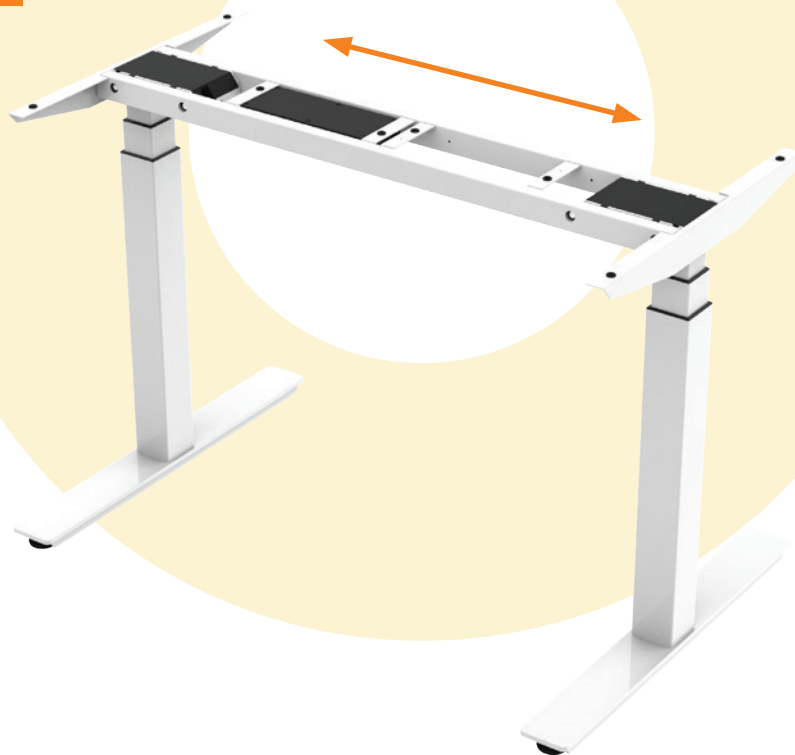
2-Stage: 680~1180

3-Stage: 630~1280

3-Stage (M): 600~1260

3-Stage (S): 560~1220

\*It varies upon the selection of components.



Two Leg Frame Kits

# TEK23

## series

Single Crossbar Desk Frame

**Max. load**

100kg

**Constant speed**

2-Stage Column: 31mm/s

3-Stage Column: 38mm/s

**Frame dimensions (mm)**

Width 1160 / 950~1550 / 1050~1850

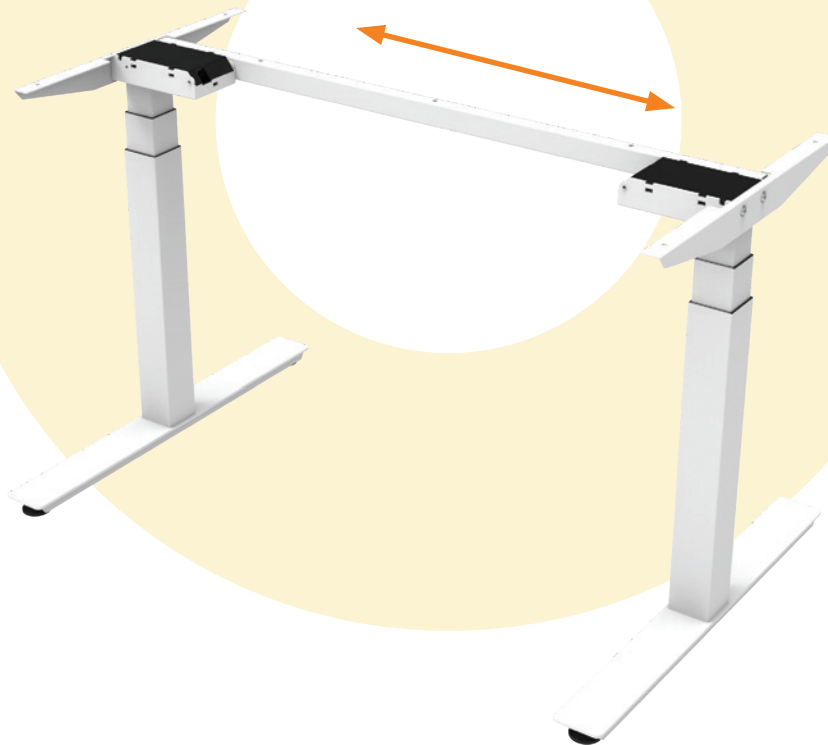
**Frame height (mm)**

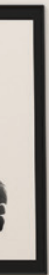
2-Stage: 680~1180

3-Stage: 630~1280

3-Stage (M): 600~1260

3-Stage (S): 560~1220





Two Leg Frame Kits

# TEKaiir series

Lightweight Dual Motor  
Desk Frame

**Max. load**  
100kg

**Constant speed**  
2-Stage Column: Up to 31mm/s\*  
3-Stage Column: Up to 38mm/s\*

**Frame dimensions (mm)**  
Width 946~1546

**Frame height (mm)**  
2-Stage: 680~1180  
3-Stage: 630~1280  
3-Stage: (M) 600~1260  
3-Stage: (S) 560~1220

\*It varies upon the selection of components.



NEW



Two Leg Frame Kits

# TEK50 series

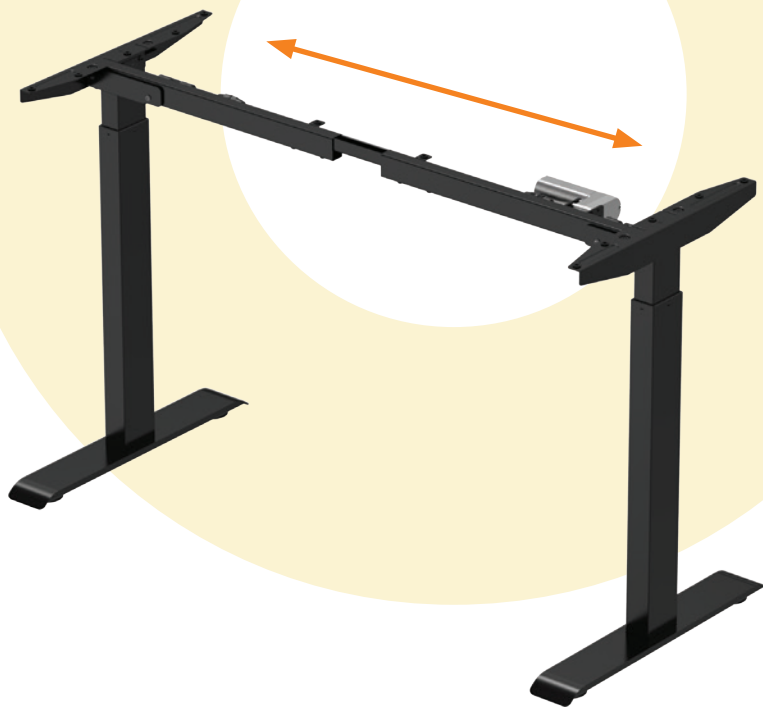
Preassembled Single Motor  
Desk Frame

**Max. load**  
70kg

**Constant speed**  
20mm/s

**Frame dimensions (mm)**  
Width 1050~1500

**Frame height (mm)**  
2-Stage: 680~1180



NEW





Two Leg Frame Kits

# TEK08S

## series

Manually Operated Desk Frame

**Max. load**

80kg

**Speed**

Lifting ratio: 3 or 9mm/turn

**Frame dimensions (mm)**

Width 1160

**Frame height (mm)**

2-Stage: 680~1130



## Bench Solution

# BP-TEK22 series

## Face-to-Face Modular Bench Solution

### Max. load

Up to 200kg\*

### Constant speed

2-Stage Column: Up to 33mm/s\*

3-Stage Column: Up to 40mm/s\*

### Frame dimensions (mm)

Width 1050~1700

### Frame height (mm)

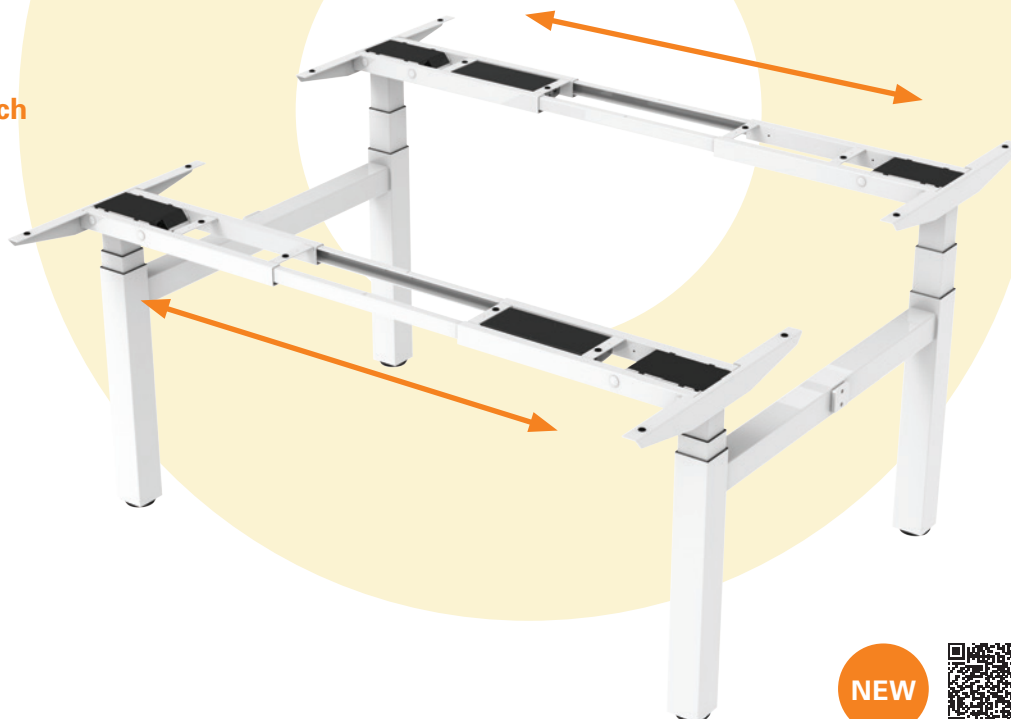
2-Stage: 680~1180

3-Stage: 630~1280

3-Stage: (M) 600~1260

3-Stage: (S) 560~1220

\*It varies upon the selection of components.



NEW



## Three Leg Frame Kits

# TEK09 series

## 120° Three Leg Desk Frame

### Max. load

120kg or 150kg\*

### Constant speed

2-Stage Column: Up to 33mm/s\*

3-Stage Column: Up to 40mm/s\*

### Frame dimensions (mm)

Width 1045~1240

### Frame height (mm)

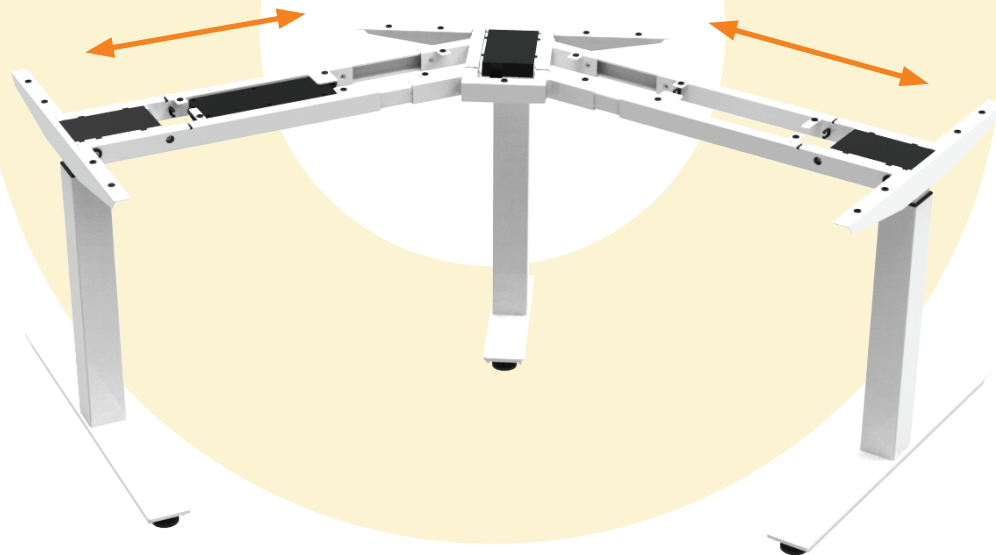
2-Stage: 680~1180

3-Stage: 630~1280

3-Stage (M): 600~1260

3-Stage (S): 560~1220

\*It varies upon the selection of components.



## Three Leg Frame Kits

# TEK26 series

## L-Shaped Three Leg Desk Frame

### Max. load

120kg or 150kg\*

### Constant speed

2-Stage Column: Up to 33mm/s\*

3-Stage Column: Up to 40mm/s\*

### Frame dimensions (mm)

Front-Long: 1071~1821

Front-Short: 1071~1721

Side: 1160~1485

### Frame height (mm)

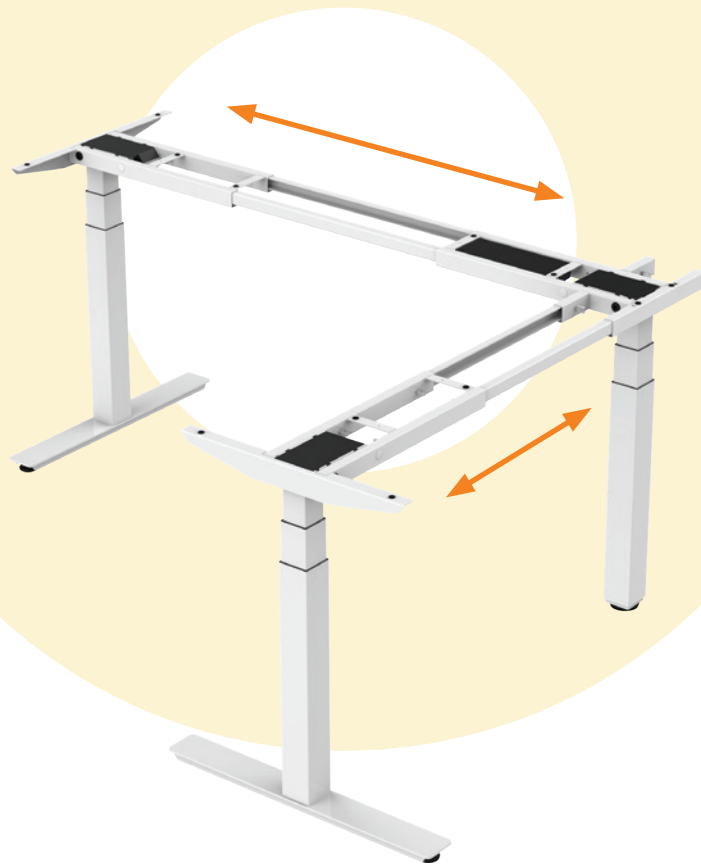
2-Stage: 680~1180

3-Stage: 630~1280

3-Stage (M): 600~1260

3-Stage (S): 560~1220

\*It varies upon the selection of components.



## Three Leg Frame Kits

# TEK28 series

## 90° or 120° Three Leg Desk Frame

### Max. load

120kg or 150kg\*

### Constant speed

2-Stage Column: Up to 33mm/s\*

3-Stage Column: Up to 40mm/s\*

### Frame dimensions (mm)

Width

90°: 1183~1680

120°: 1050~1610

### Frame height (mm)

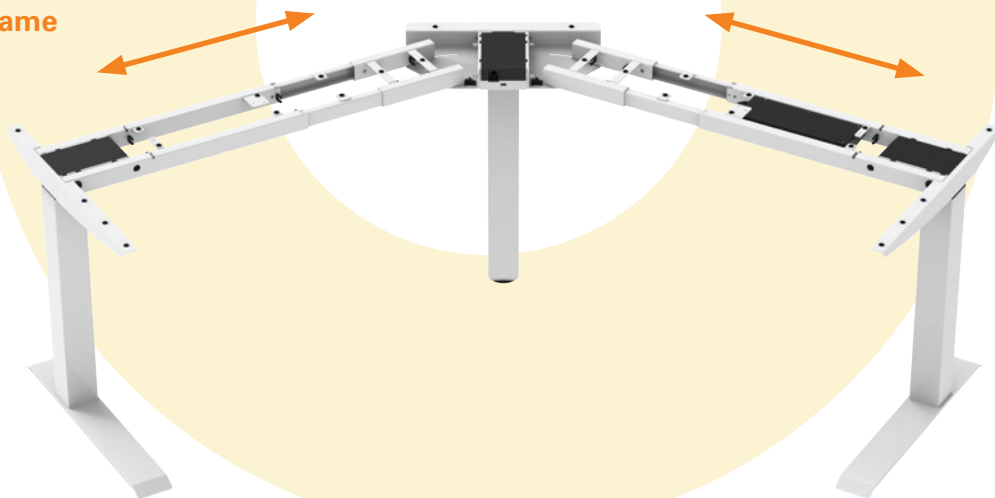
2-Stage: 680~1180

3-Stage: 630~1280

3-Stage (M): 600~1260

3-Stage (S): 560~1220

\*It varies upon the selection of components.





Four Leg Frame Kits

# TEK30 series

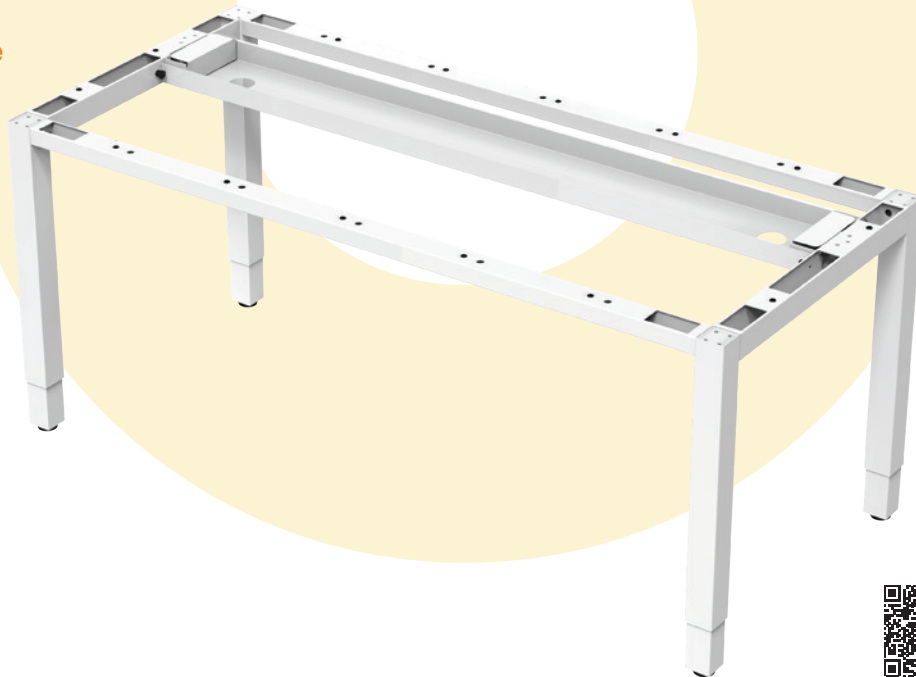
Executive Four Leg Desk Frame

**Max. load**  
100Kg

**Constant speed**  
2-Stage Column: 33mm/s

**Frame dimensions (mm)**  
Width 1500 / 1800  
Depth 800

**Frame height (mm)**  
2-Stage: 655~1155



## Three Leg Frame Kits

# TEK12 series

## Meeting Table Desk Frame

### Max. load

120kg or 150kg\*

### Constant speed

2-Stage Column: Up to 33mm/s\*

3-Stage Column: Up to 40mm/s\*

### Frame dimensions (mm)

Width 2260~3640

### Frame height (mm)

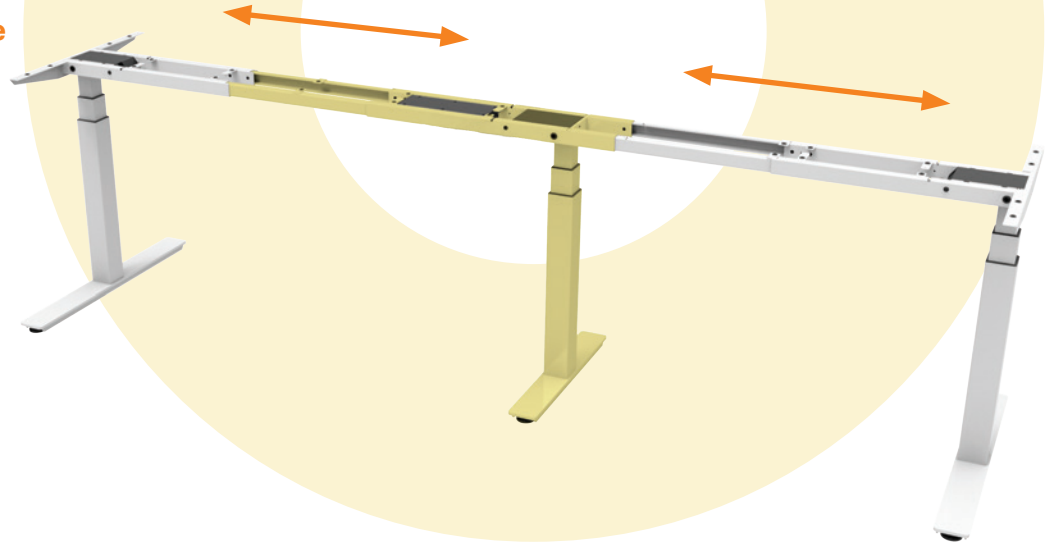
2-Stage: 680~1180

3-Stage: 630~1280

3-Stage (M): 600~1260

3-Stage (S): 560~1220

\*It varies upon the selection of components.





## Single Leg Frame Kits

# TEK17 series

## Single Column Desk Frame

### Max. load

Up to 70kg\*

### Constant speed

2-stage column: Up to 31mm/s\*

3-stage column: Up to 40mm/s\*

### Frame dimensions (mm)

Length\*Width 450\*380

### Frame height (mm)

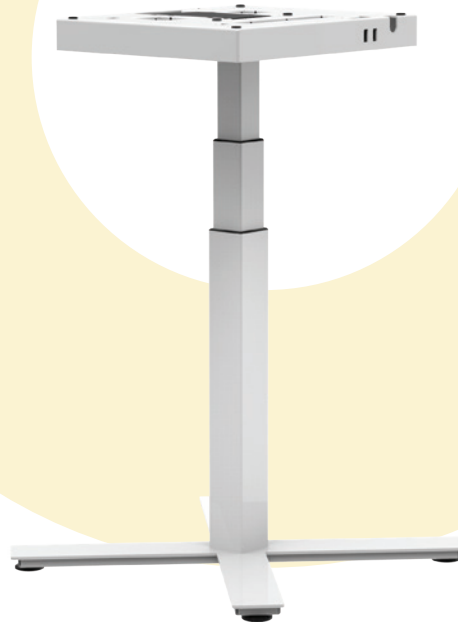
2-Stage: 680~1180

3-Stage: 630~1280

3-Stage (M): 600~1260

3-Stage (S): 560~1220

\*It varies upon the selection of components.



Single Leg Frame Kits

# TEK19 series

Single Column Desk Frame

**Max. load**  
80kg

**Constant speed**  
2-stage column: 33mm/s

**Frame dimensions (mm)**  
Length\*Width 800\*580

**Frame height (mm)**  
2-Stage: 675~1175  
(Only available for TL19)



Embedded Desk Solution

# TL25 series

New Style Mechanism for  
Height Adjustable Platform

**Max. load**

500N / 1000N (push)

**Max. speed at no load**

75mm/s

**Retracted length**

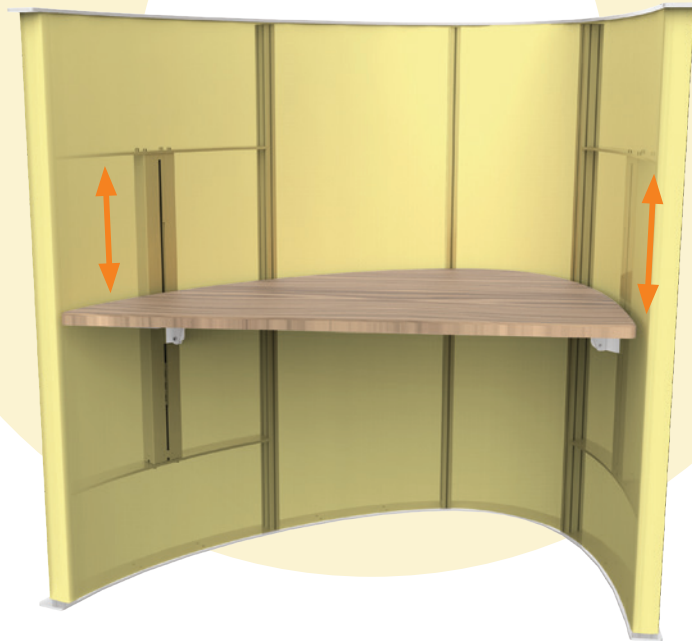
860mm

**Dimension of outer tube**

50\*100mm rectangular

**Stroke**

500mm



# TA20

## series

**Inline Actuator for  
Lifting Columns**

**Max. load**  
700N (push)

**Max. speed at no load**  
63mm/s

**Retracted length**  
 $\geq (\text{Stroke}/2) + 177\text{mm}$

**Stroke**  
50~800mm



# Colors (RAL Classic)

## Standard color for TL series



RAL9005



RAL9006



RAL9016



RAL9022

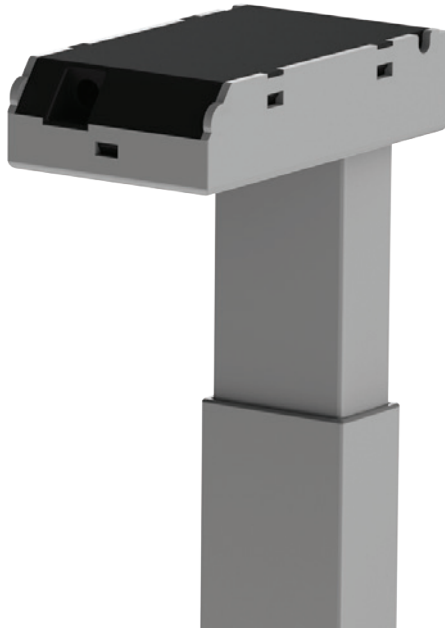


RAL7021



RAL7024

\*For more color options, please consult your sales representative.



# TLxK Lifting Columns



Model	TL13K	TL14K	TL30K	TL32K
Max. load	600N (push)			
Max. speed at no load (mm/s)	38			
Retracted length (mm)	645			
Stroke (mm)	500			
Dimension of outer tube (mm)	70*70 square	Ø70 round	90*60 rectangular	83*53 rectangular



NEW

<b>Model</b>	TL4K	TL9K	TL31K	TL33K	TL33KR
<b>Max. load</b>	600N (push)				
<b>Max. speed at no load (mm/s)</b>	45				
<b>Retracted length (mm)</b>	590 / 560 (M) / 520 (S)	590 / 560 (M)	590 / 560 (M) / 520 (S)		
<b>Stroke (mm)</b>	650 / 660 (M/S)	650 / 660 (M)	650 / 660 (M/S)		
<b>Dimension of outer tube (mm)</b>	70*70 square	Ø70 round	90*60 rectangular	83*53 rectangular	83*53 rectangular, upside down

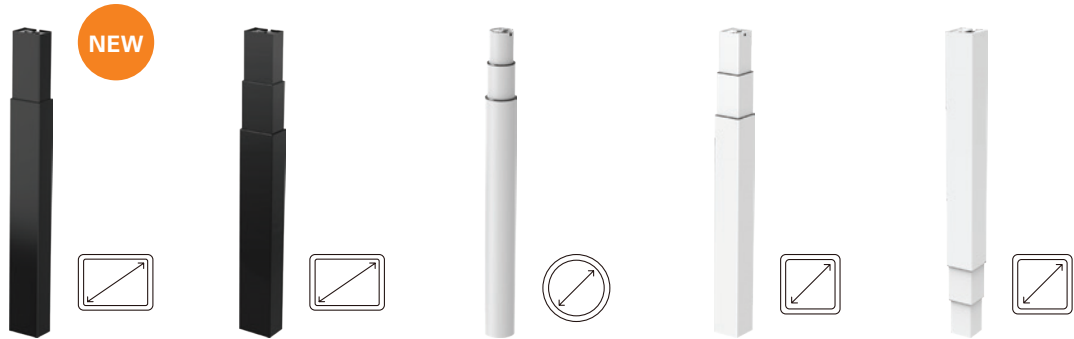
# TLxH Lifting Columns



Model	TL10H	TL12H	TL15H	TL26H
Max. load	1200N (push)			
Max. speed at no load (mm/s)	23		28	
Retracted length (mm)	590		645	
Stroke (mm)	650		500	
Dimension of outer tube (mm)	80*60 rectangular	80*60 rectangular, upside down	80*60 rectangular	80*60 rectangular, upside down



# Inline Lifting Columns



Model	TL37S	TL35S	TL6	TL20S	TL20SR
Max. load	700N (push)				
Max. speed at no load (mm/s)	44	46			
Retracted length (mm)	645	590 / 560 (M) / 520 (S)			590
Stroke (mm)	430	650 / 660 (M/S)			650
Dimension of outer tube (mm)	90*60 rectangular	97*67 rectangular	Ø70 round	70*70 square	70*70 square, upside down

# Control Boxes



<b>Model</b>	TC11P	TC15P	TC15S	TC16P	TC22
<b>Number of motors</b>	1	2		3	1~4
<b>Max. output</b>	32V DC, 6A	32V DC, 10A	32V DC, 8A	32V DC, 10A	32V DC, 12A
<b>Options</b>	<ul style="list-style-type: none"><li>• T-touch built-in</li><li>• Supports charging accessory</li></ul>		<ul style="list-style-type: none"><li>• T-touch/Bluetooth built-in</li><li>• Support charging accessory</li></ul>		

# Gear Motors



Model	TGM1	TGM2	TGM3	TGM4	TGM7
Max. rated torque	7.4Nm	18.3Nm	4.6Nm	6Nm	7.2Nm
Max. speed at max. load	72RPM ( $\pm 5\%$ )	51RPM ( $\pm 5\%$ )	61RPM ( $\pm 5\%$ )	98RPM ( $\pm 5\%$ )	78RPM ( $\pm 5\%$ )
Max. speed at no load	262.5RPM ( $\pm 5\%$ )	108RPM ( $\pm 5\%$ )	259RPM ( $\pm 5\%$ )	219RPM ( $\pm 5\%$ )	355RPM ( $\pm 5\%$ )



# Built-In Spindle Units



Model	TBS1	TBS2	TBS3	TBS4	TBS9
<b>Recommended stroke</b>	20~600mm	50~800mm	20~600mm		50~800mm
<b>Retracted length</b>	≥ stroke + 93mm (without inner tube)	≥ stroke/2 + 115mm	≥ stroke + 80mm	≥ stroke + 120mm	≥ (stroke/2) + 165mm
<b>Max. load</b>	1000N				800N
<b>Features</b>	Suitable for customized lifting system	Suitable for 3-stage columns	Suitable for 2-stage columns	<ul style="list-style-type: none"> <li>• Suitable for 2-stage columns</li> <li>• 4-directional transmission capability</li> </ul>	<ul style="list-style-type: none"> <li>• Suitable for 3-stage columns</li> <li>• 4-directional transmission capability</li> </ul>

# Hand Controls



TFH8 / TDH16



TFH21



TH14



TH37 / TDH15



TDH29



TDH3



TDH5 / TDH5C



TDH6 / TDH6PR



TDH8



TDH8D



TDH8P



TDH9P



TDH11P



TDH12P



TDH13P



TDH17

# Hand Controls



TDH18P



TDH20P



TDH24P



TDH24P



TDH27P



TDH31P



# Hand Controls

## USB-C Fast Charger Hand Control



### TDH31P

- 60W max. output
- Power supplied by control box, requiring no additional cables
- Optional additional rear USB (Type C) charging port for powering equipment such as a wireless chargers, lights, speakers, etc.

NEW

# Hand Controls



TDH1



TDH2



TDH4



TFH13



# Accessories

for TEK series



Mobile App  
Smart Move+



Mobile App  
Stand Up Pls

Smart Move+  
iOS



Smart Move+  
Android



Stand Up Pls  
iOS



Stand Up Pls  
Android



# Accessories

for TEK series



TBB9



TCS1



TFA6



TWC



TWD1



Foot Castors



# Accessories

## USB-C Fast Charger

### TFA6

Energize Your Workspace

- 70W max. output
- USB-A x 1, USB-C x 1
- Power supplied by control box, requiring no additional cables
- Smart Pop-Up design and flexible mounting options

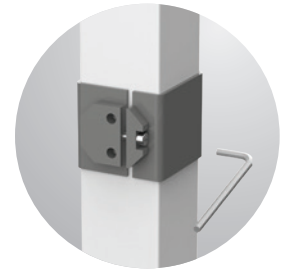


NEW



# Unique Frame Variation

## Converting Solution from Single Desk to Bench



### Attachable Bracket

An attachable bracket is a sleeve-like component that links columns together. It is a simple but effective way to swap back and forth from single desk to bench or other types of configurations.

# Unique Frame Variation

## Wall-Mount Solutions



**TEK23**



**TEK17**



### **TEK23 & TEK17**

Customized frame dimensions allow the height adjustable desk to be easily mounted on a wall, freeing up valuable floor space all while providing unique functionality and ambiance to any space.

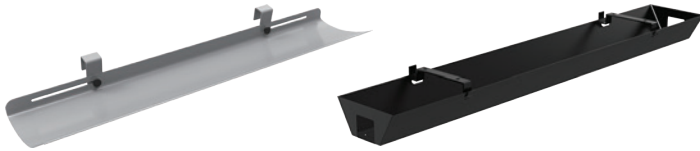






# Cable Management

## Cable Tray for Single Desk



The cable tray manages the cables for electronic items placed on the work surface (e.g., laptops, monitors, lamps). Different tray types are available for slidable and fixed end pipes.

## Cable Tray for Bench

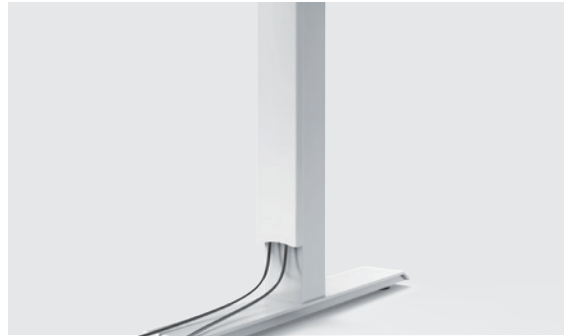


# Cable Management

## Cable Duct



Options for removable cable ducts can be effortlessly attached to the columns providing an elegant cable management solution to keep your workspace free of clutter and trip hazards.



# Cable Management

## Magnetic Cover Hood



Easily conceal cables and electronics with the magnetic cover hood to furnish a sleek and elegant appearance. The hood can be easily attached and detached from the frame allowing easy access to the concealed cables and electronics.





# Industrial Workbench Columns



## TL3

**Max. load**  
4000N (push)



**Max. speed at no load**  
39mm/s

**Retracted length**  
 $\geq \text{Stroke}/2 + 150\text{mm}$

**Dimension of outer tube**  
177.4\*150.7mm rectangular

**Stages**  
3-stage

**Stroke**  
250~1200mm



## TL8

**Max. load**  
2000N (push)



**Max. speed at no load**  
32.6mm/s

**Retracted length**  
 $\geq \text{Stroke}/2 + 150\text{mm}$

**Dimension of outer tube**  
 $\text{Ø}124\text{mm}$  round

**Stages**  
3-stage

**Stroke**  
200~400mm



## TL17

**Max. load**  
2000N (push)



**Max. speed at no load**  
41mm/s

**Retracted length**  
 $\geq \text{Stroke}/2 + 150\text{mm}$

**Dimension of outer tube**  
169.4\*121.4mm rectangular

**Stages**  
3-stage

**Stroke**  
250~1200mm

# Industrial Workbench Columns



## TL19

**Max. load**  
800N (push)



**Max. speed at no load**  
47mm/s

**Retracted length**  
645mm

**Dimension of outer tube**  
110\*110mm square

**Stages**  
2-stage

**Stroke**  
500mm



## TL18

**Max. load**  
4500N (push)



**Max. speed at no load**  
45mm/s

**Retracted length**  
 $\geq \text{Stroke} + 147\text{mm}$

**Dimension of outer tube**  
196.4\*148.4mm rectangular

**Stages**  
2-stage

**Stroke**  
100~1000mm



## TL18AC

**Max. load**  
4500N (push)



**Max. speed at no load**  
45mm/s

**Retracted length**  
 $\geq 383\text{mm}$

**Dimension of outer tube**  
196.4\*148.4mm rectangular

**Stages**  
2-stage

**Stroke**  
20~700mm



## TL24

**Max. load**  
3300N (push)



**Max. speed at no load**  
38mm/s

**Retracted length**  
 $\geq$  Stroke + 188mm

**Dimension of outer tube**  
110\*110mm square

**Stages**  
2-stage

**Stroke**  
100~800mm



## TL27

**Max. load**  
3300N (push)



**Max. speed at no load**  
38mm/s

**Retracted length**  
 $\geq$  Stroke + 256mm

**Dimension of outer tube**  
130\*130mm square

**Stages**  
2-stage, upside down

**Stroke**  
20~800mm

# TV Lift Columns



## TVL3

**Max. load**  
600N (push)



**Max. speed at no load**  
32mm/s

**Retracted length**  
570 (S) / 685 (M) / 795 (L)mm

**Stroke**  
650 (S) / 780 (M) / 914 (L)mm

**Dimension of outer tube**  
120\*70mm

**Stages**  
3-stage



## TL5

**Max. load**  
800N (push)



**Max. speed at no load**  
36mm/s

**Retracted length**  
560mm

**Stroke**  
675mm

**Dimension of outer tube**  
120\*70mm rectangular

**Stages**  
3-stage



## TL12 (XL)

**Max. load**  
800N (push)

**Max. speed at no load**  
48mm/s

**Retracted length**  
700mm

**Stroke**  
950mm

**Dimension of outer tube**  
80\*60mm rectangular  
upside down

**Stages**  
3-stage



## TL12H (XL)

**Max. load**  
1200N (push)

**Max. speed at no load**  
23mm/s

**Retracted length**  
700mm

**Stroke**  
950mm

**Dimension of outer tube**  
80\*60mm rectangular  
upside down

**Stages**  
3-stage







## Terms of Use

The user is responsible for determining the suitability of TiMOTION products for a specific application. TiMOTION takes great care in providing accurate and up-to-date information on its products. However, due to continuous development, frequent modifications and changes to products may occur without prior notice. It is for this reason that TiMOTION cannot guarantee the correct and actual status of said information on its products, nor can it guarantee the availability of any particular product.

Therefore, TiMOTION reserves the right to discontinue the sale of any product displayed on its website or listed in its catalogues or other written material produced by TiMOTION.

For the most accurate and up-to-date information on our products, please visit TiMOTION's website.

[www.timotion.com](http://www.timotion.com)



### Every Day is Earth Day

TiMOTION uses FSC certificated paper in order to help care for our forests, as well as the people and wildlife who call them home.





**Taiwan & China**

+886 2 2219 6633  
sales.tw@timotion.com

**Australia**

+61 3 8725 0331  
salesteam.au@timotion.com

**Europe**

+33 (0)1 74 82 50 51  
sales.eu@timotion.com

**Japan**

+81 6 6713 1188  
sales.jp@timotion.com

**USA**

(704) 708 6924  
sales.us@timotion.com

**Korea**

+82 31 745 1060  
sales@timotion.co.kr



For the latest  
product information

**Updated: Apr 2023**