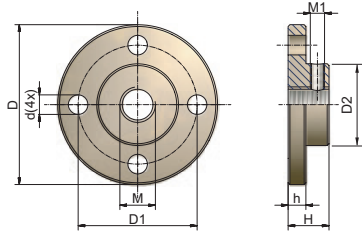


Accessories

Add-on component | For the translating version



Fixing flange BF

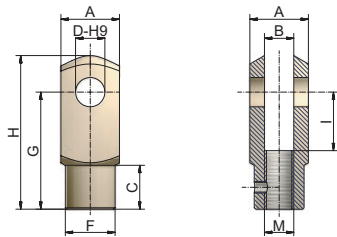


Code	D	D1	D2	M	d	h	H	M1	kg
GSZ-2-BF	50	40	26	M10	5,5	6	16	5	0,04
ZE-5-BF	65	48	29	M12	9	7	20	5	0,2
ZE-10-BF	80	60	38	M14	11	8	21	6	0,3
ZE-25-BF	90	67	46	M20	11	10	23	8	0,5
ZE-35/50-BF	110	85	60	M30	13	15	30	8	1,2
ZE-100-BF	150	117	85	M36	17	20	50	10	3,5
ZE-150-BF	170	130	90	M42x2	21	25	50	10	4,7
ZE-200-BF	200	155	110	M56x2	26	30	60	12	7,8
Z-250-BF	210	165	120	M56x2	26	30	60	12	9,5
Z-350-BF	260	205	145	M72x3	32	40	80	16	18,4
Z-500-BF	310	240	170	M100x3	38	40	120	16	30
Z-750-BF	340	265	200	M110x3	38	50	132	20	36

Material: steel, corrosion-resistant; aluminum, hard anodized (GSZ-2-BF) incl. set screw



Forked end GK

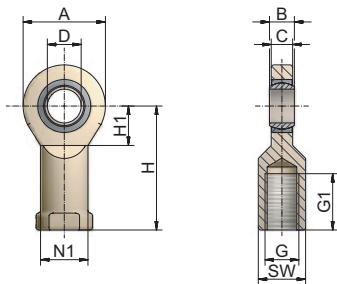


Code	A	B	C	D	M	F	G	H	I	kg
GSZ-2-GK	20	10	15	10	M10	18	40	52	20	0,1
ZE-5-GK	24	12	18	12	M12	20	48	62	24	0,2
ZE-10-GK	27	14	22	14	M14	24	56	72	28	0,2
ZE-25-GK	40	20	30	20	M20	34	80	105	40	0,7
ZE-35/50-GK	60	30	42	30	M30	52	120	160	60	2,5
ZE-100-GK	70	36	54	35	M36	60	144	188	72	3,7
ZE-150-GK	85	42	63	42	M42x2	70	168	232	84	5,3

Material: steel, galvanised (INOX on request) incl. bolt, splint and set screw



Rod end KGK



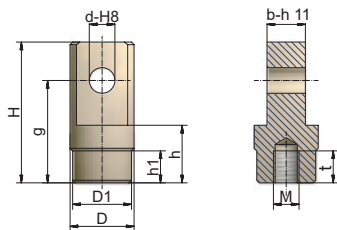
Code	A	B	C	D	G	G1	H	H1	SW	N1	kg
GSZ-2-KGK	31	14	12	10	M10	19	43	15	16	15	0,11
ZE-5-KGK	34	10	8,5	12	M12	23	50	17,5	18	17	0,1
ZE-10-KGK	40	12	10	15	M14	30	61	20	21	20	0,16
ZE-25-KGK	53	16	13	20	M20	40	77	27,5	30	27,5	0,32
ZE-35/50-KGK	73	22	19	30	M30	56	110	37	46	40	1,03
ZE-100-KGK	92	28	24	40	M36	65	142	46	60	52	2,1
ZE-150-KGK	112	35	31	50	M42x2	68	160	56	70	62	3,61
ZE-200-KGK	135	44	38	60	M56x2	70	175	73	75	70	5,6
Z-250-KGK	160	49	43	70	M56x2	80	200	80	85	80	8,45

Larger sizes on request

Material: steel/steel, galvanised; steel/PTFE for GSZ-2-KGK incl. set screw; (INOX on request)
CAUTION: Use only with rotation protection! Larger sizes on request.

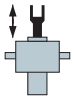


Pivot bearing end SLK



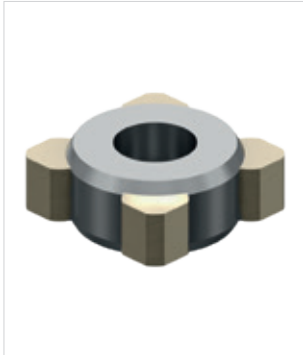
Code	H	D	D1	d	M	g	b	h	h1	t	kg
ZE-5-SLK	65	30	29	12	M12	48	18	25	20	22	0,3
ZE-10-SLK	80	40	39	14	M14	56	24	25	20	25	0,6
ZE-25-SLK	110	50	46	20	M20	80	30	45	25	25	1,2
ZE-35/50-SLK	130	65	60	30	M30	92	35	50	30	33	2,1
ZE-100-SLK	144	90	85	35	M36	108	40	65	40	55	4,4
ZE-150-SLK	210	100	90	50	M42x2	155	57	90	50	70	8
ZE-200-SLK	235	115	110	65	M56x2	165	70	85	45	63	12
Z-250-SLK	260	125	120	80	M56x2	180	80	85	40	63	16
Z-350-SLK	280	145	145	90	M72x3	195	100	105	-	83	24
Z-500-SLK	340	170	170	100	M100x3	245	120	150	-	120	38
Z-750-SLK	380	225	200	120	M110x3	270	130	155	80	133	68,5

Material: steel, corrosion resistant incl. set screw

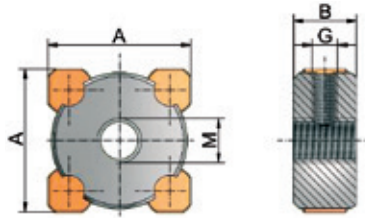


Accessories

Add-on component | For the translating version



Rotation protection VS



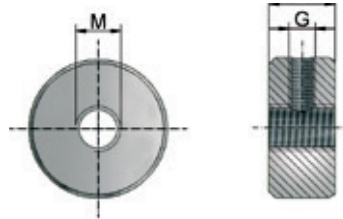
Rotation protection is required if the screw is not fixed to the load so that it cannot rotate, or is installed in combination with limit switches or the rod end KGK.

Code	A	B	G	M	kg
GSZ-2-VS*	31x21	15	Ø3	M10	0,01
ZE-5-VS*	31	15	M6	M12	0,1
ZE-10-VS	46	20	M8	M14	0,23
ZE-25-VS	46	20	M8	M20	0,23
ZE-35-VS	56	30	M8	M24	0,65
ZE-50-VS	84	30	M10	M30	1,27
ZE-100-VS	84	30	M10	M36	1,2
ZE-150-VS	114	30	M10	M48x2	2,15
ZE-200-VS	114	30	M10	M56x2	2,15
Z-250-VS	114	30	M10	M64x3	2,15
Z-350-VS	152	35	M16	M72x3	4,6
Z-500-VS	170	40	M16	M85x3	6,6
Z-750-VS	190	40	M16	M100x3	8
Z-1000-VS	208	40	M16	M100x3	10,2

Material: steel, bronze - *For ZE-5, the VS is made of solid bronze. GSZ-2 POM incl. set screw.



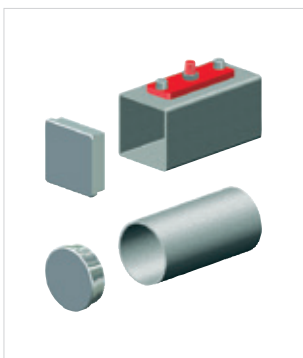
Escape protection AS



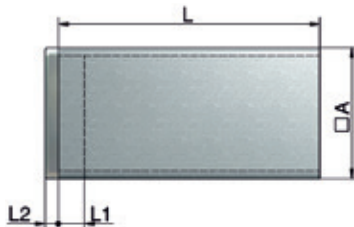
Escape protection prevents the screw being wound out of the gearbox. It is particularly recommended for ball screws. Do not rely on it as an operating travel stop.

Code	A	G	M	kg
GSZ-2-AS	15	M5	M10	0,01
ZE-5-AS	15	M6	M12	0,05
ZE-10-AS	20	M8	M14	0,16
ZE-25-AS	20	M8	M20	0,14
ZE-35-AS	30	M8	M24	0,4
ZE-50-AS	30	M10	M30	0,8
ZE-100-AS	30	M10	M36	0,74
ZE-150-AS	30	M12	M48x2	1,48
ZE-200-AS	30	M10	M56x2	1,49
Z-250-AS	30	M12	M64x3	1,17
Z-350-AS	35	M16	M72x3	2,87
Z-500-AS	40	M16	M85x3	3,86
Z-750-AS	40	M16	M100x3	6
Z-1000-AS	40	M16	M100x3	9,6

Material: steel, Incl. set screw.



Protective tube SRO with lid



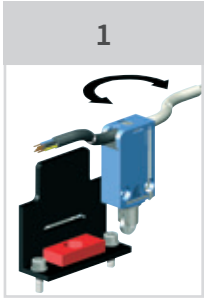
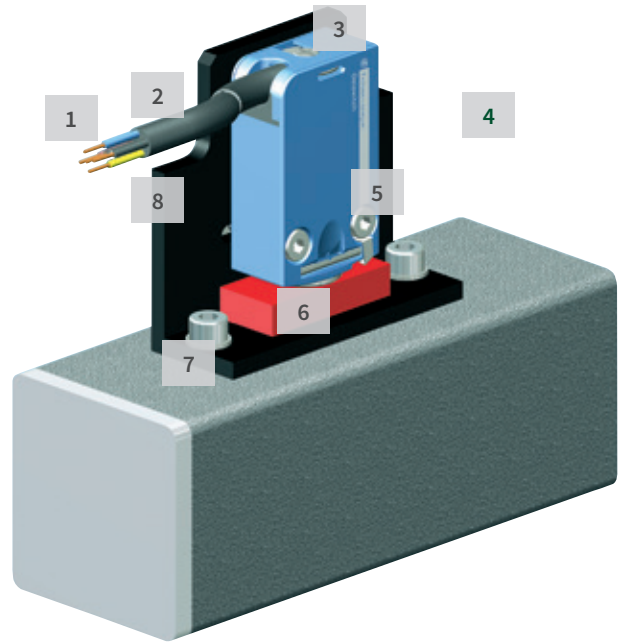
Code	A	L1	L2	kg/m
GSZ-2-SRO	35x25	14	5	0,6
ZE-5-SRO	35	10	5	2,1
ZE-10-SRO	50	10	5	3,1
ZE-25-SRO	50	10	5	3,1
ZE-35-SRO	60	10	5	3,8
ZE-50-SRO	90	10	5	8,2
ZE-100-SRO	90	10	5	8,2
ZE-150-SRO	120	10	5	11,5
ZE-200-SRO	120	10	5	11,5
Z-250-SRO	Ø 125 / □ 120	10	5	7,6 / 11,5
Z-350-SRO	Ø 150 / □ 160	15	5	19,0 / 19,3
Z-500-SRO	Ø 180 / □ 180	15	5	22,0 / 27,0
Z-750-SRO	Ø 210 / □ 200	15	5	26,0 / 30,0
Z-1000-SRO	Ø 260 / □ 220	15	5	32,0 / 39,0

Material: steel, powder coated/painted. Aluminum, black anodized (GSZ-2-SRO)

Lid: aluminum, corrosion resistant; PE, black (GSZ-2)

Incl. set screw.

Limit switch set ESSET for the translating version



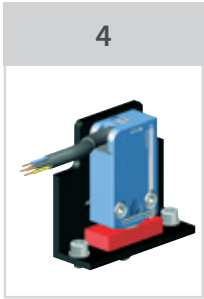
1
Cable outlet turnable 180°



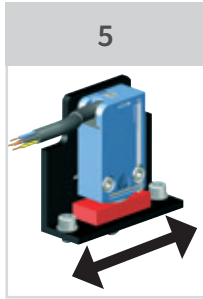
2
Cabel length
5m standard
(2 m, 10 m)



3
Integrated plug,
for fast and comfortable
revisions



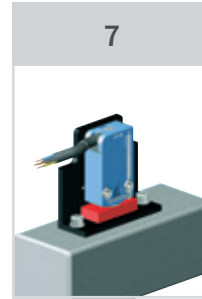
4
One size
fits all



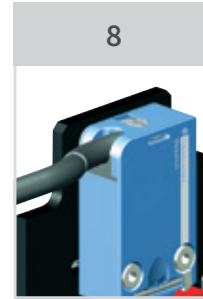
5
Fine adjustment
+/- 5 mm possible



6
Enclosed fitting,
resistant to dirt
penetration



7
Assembled and preset
delivery

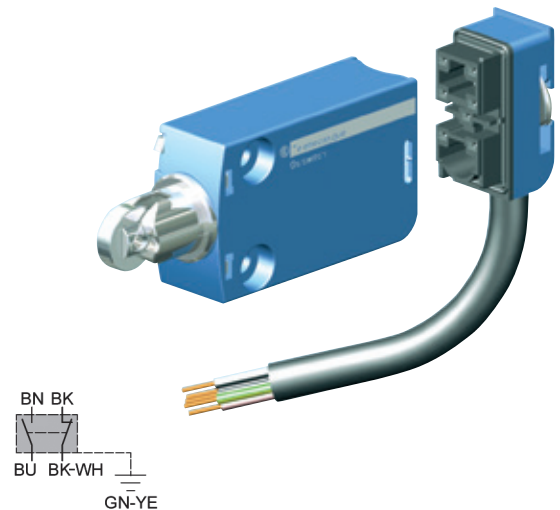


8
Massive mounting,
protection against
damage

Technical data

Type:	Mechanical limit switch with positively-actuated NC relay
Material:	Metal housing and roller plunger
Mode of operation:	1Ö + 1S, snap action contacts
Protection class:	IP67
Temperature range:	-40°C to +70°C
Cabel standard-material:	PVC black Ø 7,3 mm, 5 x 0,75 mm ²
Cabel standard-temperature:	-25°C to +70°C
Cabel special-temperature:	-40°C to +105°C (only available on request)
Electrical duty:	max. 240V AC / 1,5A max. 250V DC / 0,1A
Electrical service life:	5 million switching operations at 24V DC/3W 1 million switching operations at 230V AC/0,5A
Weight:	Limit switch set: 0,2 kg; cabel (5m): 0,45 kg

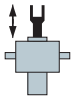
NC	BK BK-WH	black black-white	black black-white
NO	BU BN	blue brown	blue brown
Protective earth conductor	GN-YE	green-yellow	green-yellow



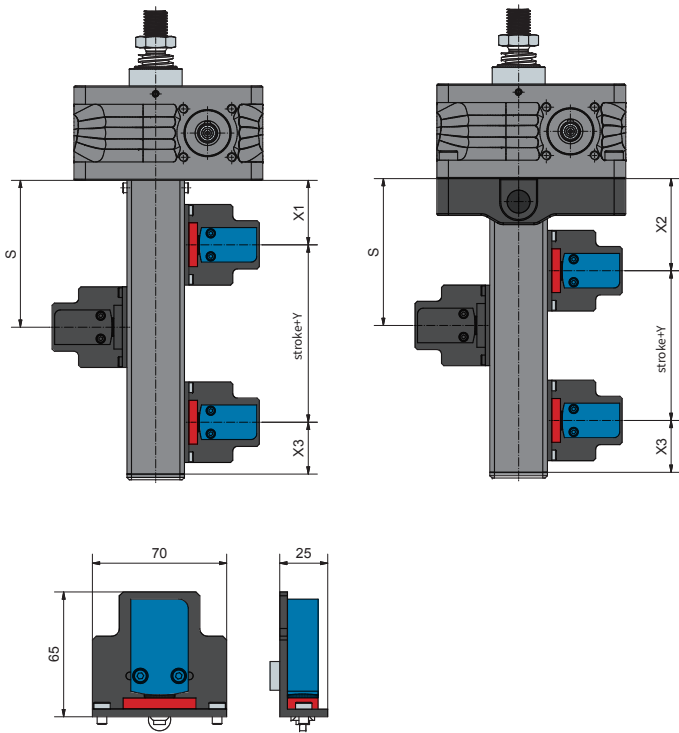
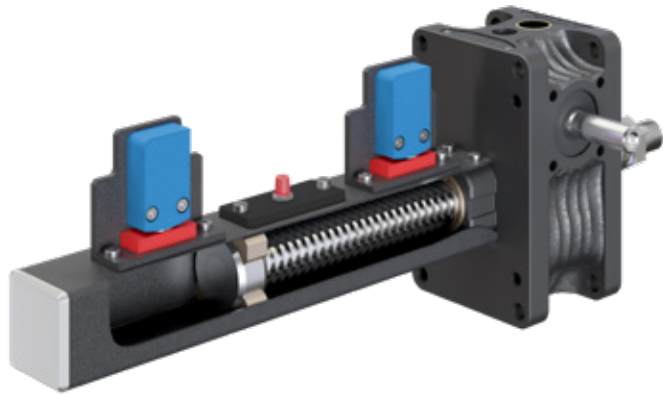
Ordering example for an single switch: **ZE-25-ES-5**

Gearbox size _____
 Limit switch _____
 Cable length _____
 2m, 5m (standard) or 10m, 0 = without cable

Limit switch ES - Dimensions

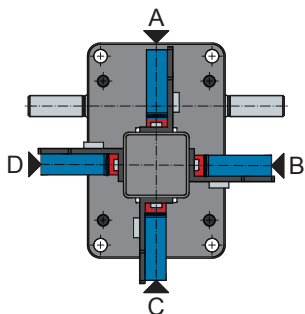


Positions | for the translating version



Size	Screw	X1	X2	X3	Y
GSZ-2	Tr16x4	48	70	48	21
ZE-5	Tr18x4	49	70	45	25
	KGT16x05, x10	49	70	45	25
ZE-10	Tr20x4	52	72	45	24
	KGT25x05, x10	52	72	45	24
	KGT25x25	77	77	68	24
ZE-25	KGT25x50	142	142	133	24
	Tr30x6	56	80	45	24
	KGT32x05, x10, x20	56	80	45	24
ZE-35	KGT32x40	91	91	78	24
	Tr40x7	64	90	45	34
ZE-50	Tr40x7	65	90	45	34
	KGT40x5, x10, x20	65	90	45	34
ZE-50/Tr50	KGT40x40	90	90	68	34
	Tr50x8	65	90	45	34
ZE-100	Tr55x9	65	110	45	34
	KGT50x10	65	110	45	34
	KGT50x20	70	110	48	34
ZE-150	KGT50x40	110	110	88	34
	Tr60x9	70	120	45	34
	KGT63x10	70	120	45	34
	KGT63x20	75	120	48	34
	KGT63x40	115	120	88	34
ZE-200	KGT63x60	155	155	128	34
	Tr70x12	70	-	45	34
	KGT80x10	70	-	45	34
	KGT80x20	75	-	48	34
	KGT80x40	115	-	88	34
Z-250	KGT80x60	155	-	128	34
	Tr80x16	75	-	45	30
	KGT80x10	75	-	45	30
	KGT80x20	82	-	50	30
	KGT80x40	122	-	90	30
Z-350	KGT80x60	162	-	130	30
	Tr100x16	85	-	50	31
	KGT100x20	94	-	57	31
	KGT100x40	134	-	97	31
	KGT100x60	174	-	137	31
Z-500	KGT100x80	214	-	177	31
	Tr120x16	102	-	55	40
	KGT125x25	112	-	65	40
	KGT125x40	142	-	95	40
	KGT125x60	182	-	135	40
Z-750	KGT125x80	222	-	175	40
	Tr140x20	110	-	55	40
	KGT140x25	112	-	65	40
	KGT140x40	142	-	95	40
	KGT140x60	182	-	135	40
Z-1000	KGT140x80	222	-	175	40
	Tr160x20	110	-	55	40
	KGT160x25	112	-	65	40
	KGT160x40	142	-	95	40
	KGT160x60	182	-	135	40
	KGT160x80	222	-	175	40

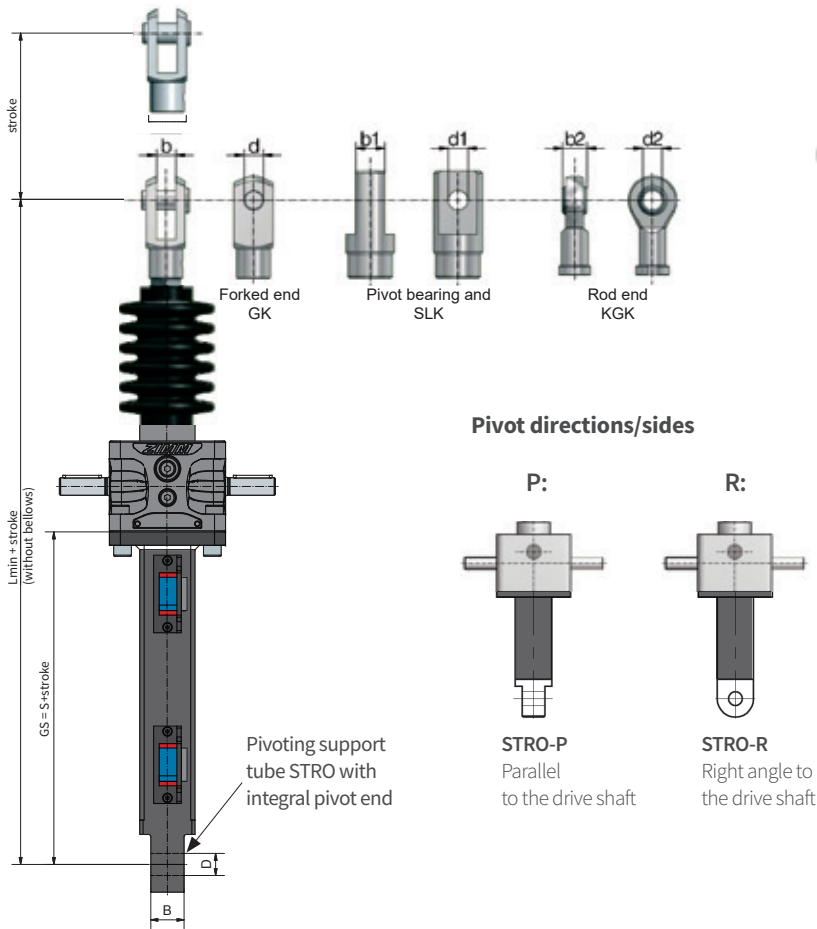
Limit switch positions



The limit switch can be mounted on any potential position/side of the protective tube

S Pivoting support tube STRO

Maximum stroke 500 mm, above on request



Note
When using the pivoting support tube, take into consideration the torques arising due to the weight of the motor etc. - support is necessary

Size	Options	S	L min. GK	L min. SLK	L min. KGK	d	b	d1	b1	d2	b2	D	B
ZE-5	Standard	82	224	224	226	12	12	12	18	12	10	12	20
	with AS/VS	97	239	239	241	12	12	12	18	12	10	12	20
	with ES	155	297	297	299	12	12	12	18	12	10	12	20
ZE-10	Standard	94	262	262	267	14	14	14	24	15	12	20	30
	with AS/VS	114	282	282	287	14	14	14	24	15	12	20	30
	with ES	166	334	334	339	14	14	14	24	15	12	20	30
ZE-25	Standard	98	303	303	300	20	20	20	30	20	16	20	30
	with AS/VS	118	323	323	320	20	20	20	30	20	16	20	30
	with ES	170	375	375	372	20	20	20	30	20	16	20	30
ZE-35	Standard	117	390	362	380	30	30	30	35	30	22	30	35
	with AS/VS	147	420	392	410	30	30	30	35	30	22	30	35
	with ES	203	476	448	466	30	30	30	35	30	22	30	35
ZE-50	Standard	137	426	398	416	30	30	30	35	30	22	40	50
	with AS/VS	167	456	428	446	30	30	30	35	30	22	40	50
	with ES	219	508	480	498	30	30	30	35	30	22	40	50
ZE-50/Tr50	Standard	137	454	418	42	35	36	35	40	40	28	40	50
	with AS/VS	167	484	448	482	35	36	35	40	40	28	40	50
	with ES	219	536	500	534	35	36	35	40	40	28	40	50
ZE-100	Standard	157	539	503	537	35	36	35	40	40	28	40	50
	with AS/VS	187	569	533	567	35	36	35	40	40	28	40	50
	with ES	219	601	565	599	35	36	35	40	40	28	40	50

Ordering Example: **ZE-25-STRO-P, GS=150mm**
 ZE or GSZ