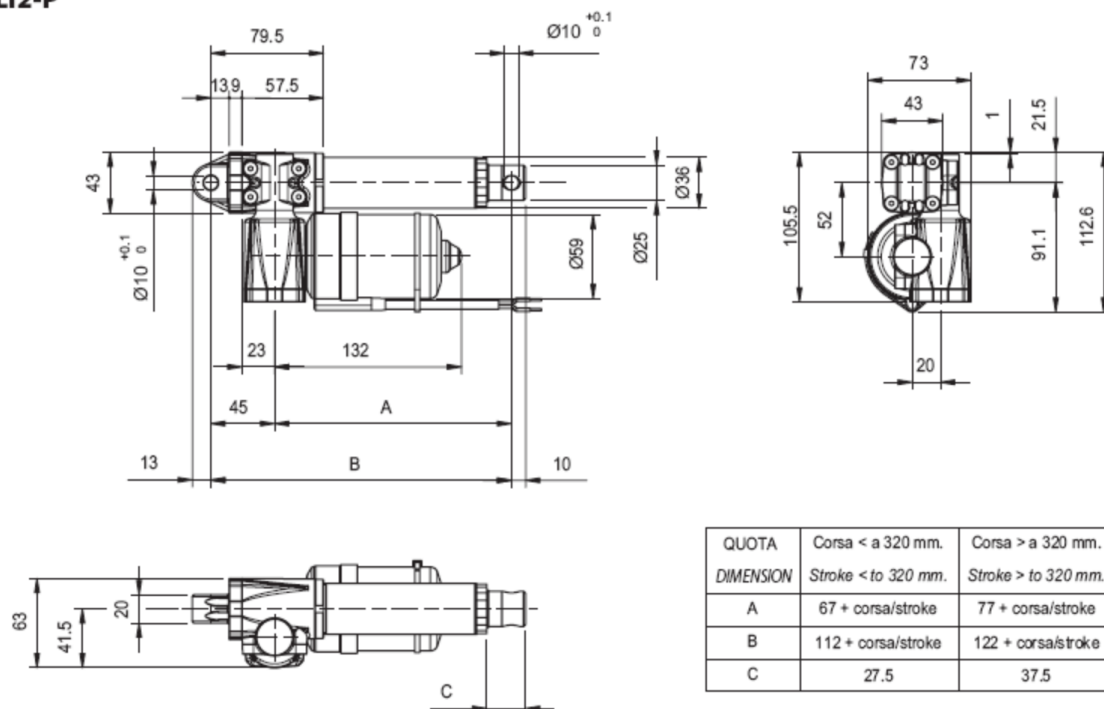
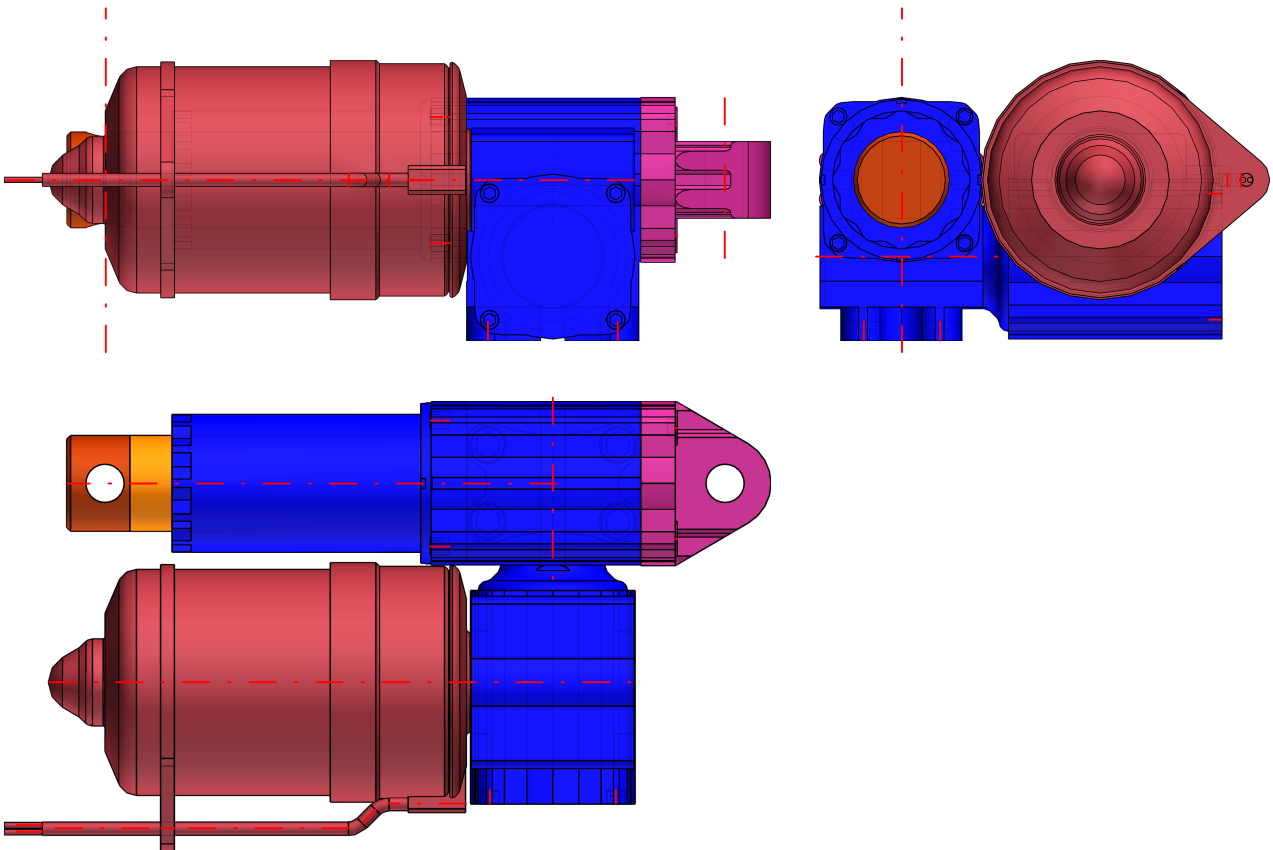


ALI2-P





IDNR (Type of actuator)	ALI2-P
C (Stroke / mm)	50
CC (Push-rod stroke / mm)	0
VS (Version)	M04
TS1 (Voltage / V)	12
GR (Size)	59
OM (Motor position / mm)	M0
ENC (Encoder)	-
GP (Protection Class)	IP65
DA (Antirotation device / mm)	-
AP (Rear ends / mm)	P1
AA (Frontend / mm)	A1
OPZ1 (Naked Screw)	-
OPZ2 (Stainless steel)	-
OPZ3 (Painting)	F = Painting
OPZ4 (Safety nut)	-
OPZ5 (Antirotation)	-
OPZ6 (Bronze wheel)	-

Kusovník

N°	Označení	Množství
1	AL12-P/0050/M04/59-12//M0/IP65//P1/A1///F///	1