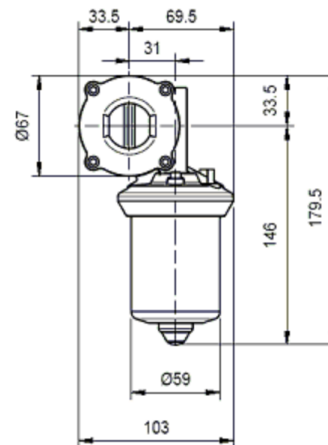
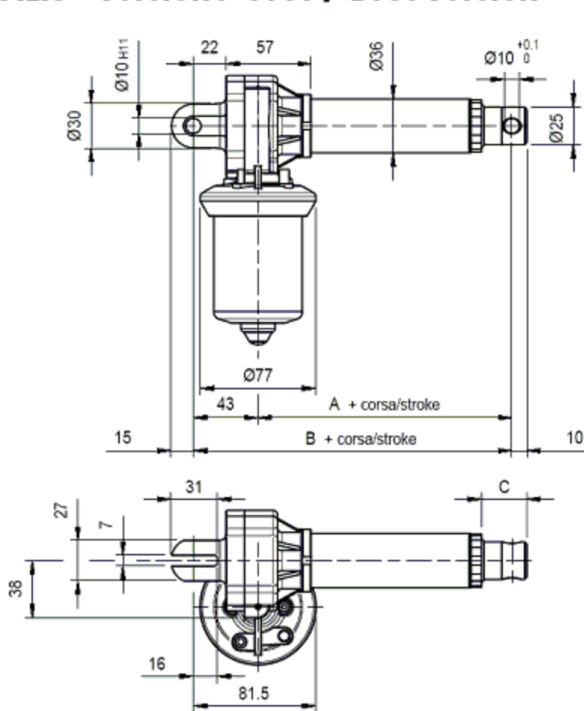
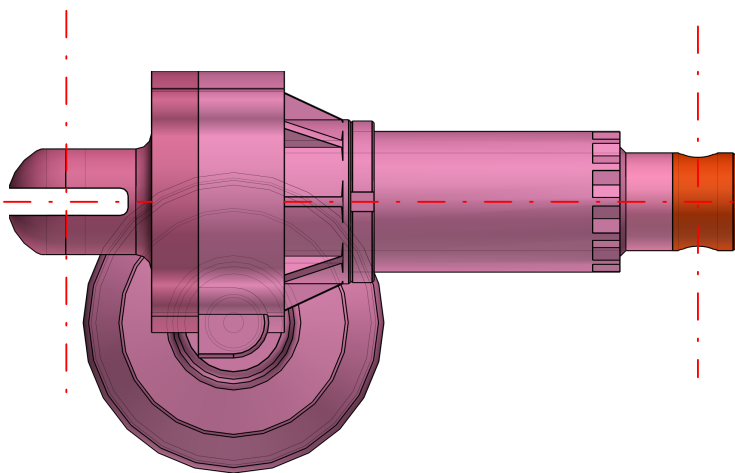
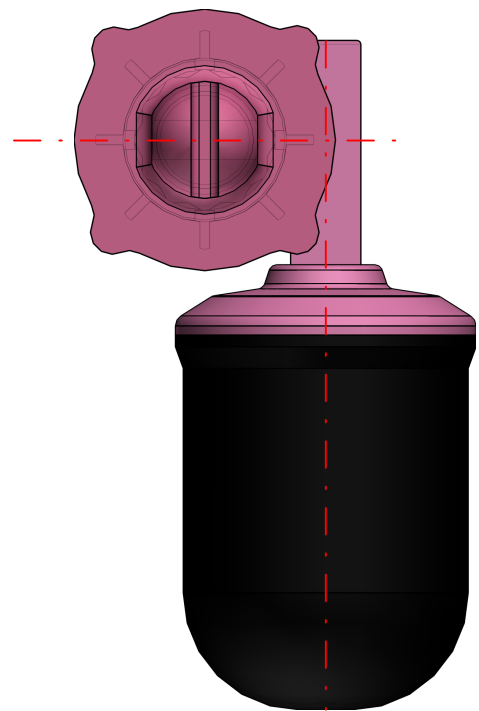
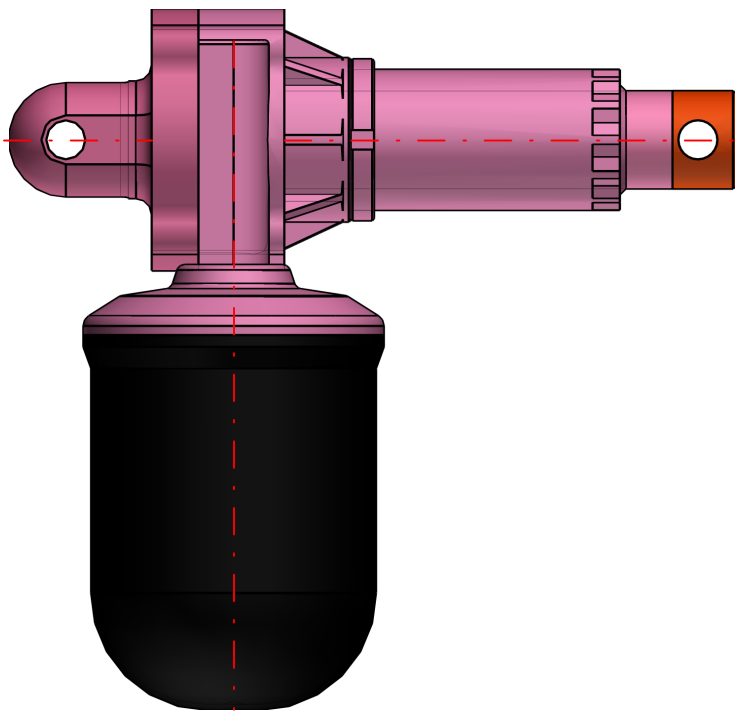


ALI3 - Versione C.C. / D.C. Version



QUOTA MEASURE	Corsa < a 320 mm. Stroke < to 320 mm.	Corsa > a 320 mm. Stroke > to 320 mm.
A	69 + corsa/stroke	79 + corsa/stroke
B	112 + corsa/stroke	122 + corsa/stroke
C	30	40



IDNR (Type of actuator)	AL13
C (Stroke / mm)	50
CC (Push-rod stroke / mm)	0
VS (Version)	M02
MOT (Motor)	C.C.
TS1 (Voltage / V)	12
GR (Size)	59
NG (Rpm)	5000
OM (Motor position)	M0
ENC (Encoder)	-
GP (Protection Class)	IP65
DA (Antirotation device)	-
AP (Rear ends)	P1
AA (Frontend)	A1
OPZ1 (Vite scoperta)	-
OPZ2 (Stainless steel)	-
OPZ3 (Painting)	-
OPZ4 (Safety nut)	-
OPZ5 (Antirotation)	-
OPZ6 (Protection bellows)	-

Kusovník

N°	Označení	Množství
1	ALI3/0050/M02/C.C.-120-5000/M0//IP65//P1/A1/////	1