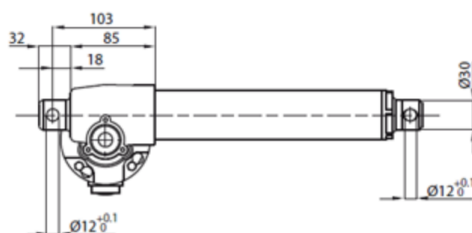
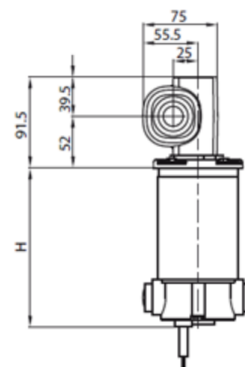
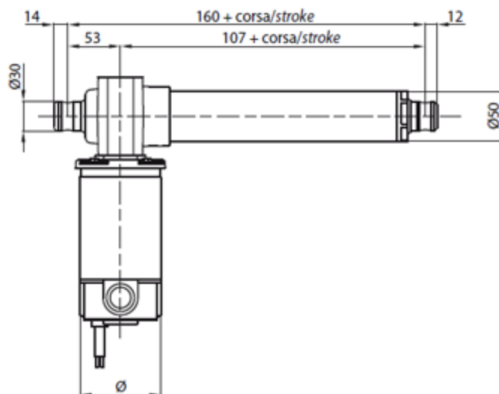
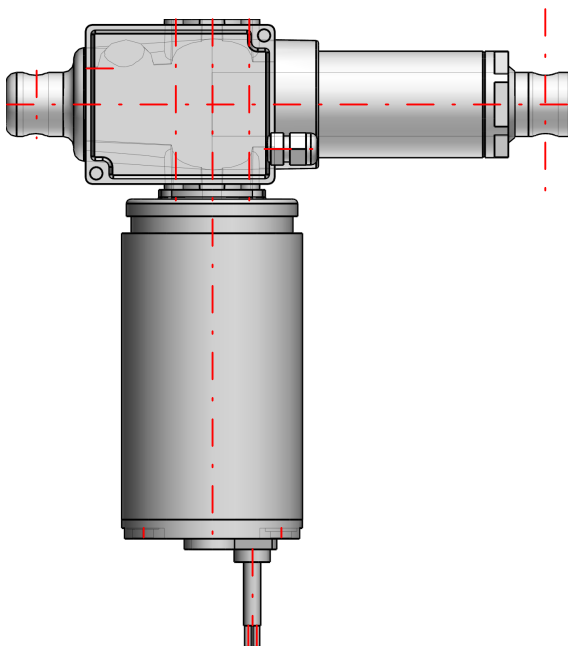
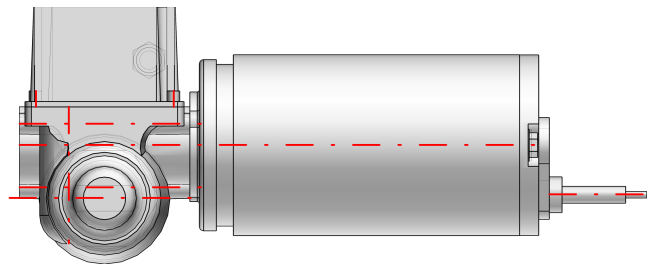
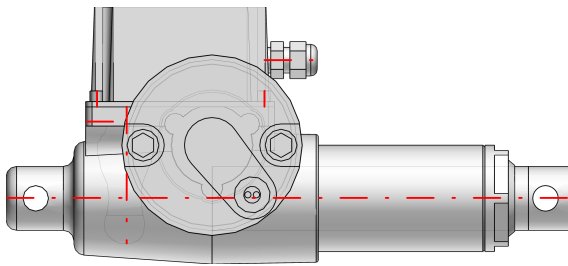


ALI4 - versione C.C. / D.C. Version



| DIMENSIONI MOTORI C.A. / A.C. MOTORS DIMENSIONS | | |
|---|-----|----|
| GR. / SIZE | H | Ø |
| D65 | 135 | 65 |
| D80 | 157 | 85 |



| | |
|---|------|
| IDNR (Type of actuator) | ALI4 |
| C (Stroke / mm) | 50 |
| CC (Push-rod stroke / mm) | 0 |
| VS (Version) | M19 |
| MOT (Motor) | CC |
| TS1 (Voltage / V) | 12 |
| GR (Size) | 65 |
| NG (Rpm) | 3000 |
| OM (Motor position) | M0 |
| ENC (Encoder) | - |
| GP (Protection Class) | - |
| DA (Antirotation device) | - |
| AP (Rear end) | P1 |
| AA (Front end) | A1 |
| OPZ1 (Stainless steel) | - |
| OPZ2 (Protection bellows) | - |
| OPZ3 (Naked Screw) | - |
| OPZ4 (Bronze wheel) | - |
| OPZ5 (Viton seals) | - |
| OPZ6 (Painting) | - |
| OPZ7 (Safety nut) | - |
| OPZ9 (Torque limiter) | - |
| OPZ10 (Additional shaft (opposite to motorside)) | - |

Kusovník

| N° | Označení | Množství |
|----|--------------------------------------|----------|
| 1 | ALI4/0050/M19/CC-12-65-3000/M0/P1/A1 | 1 |