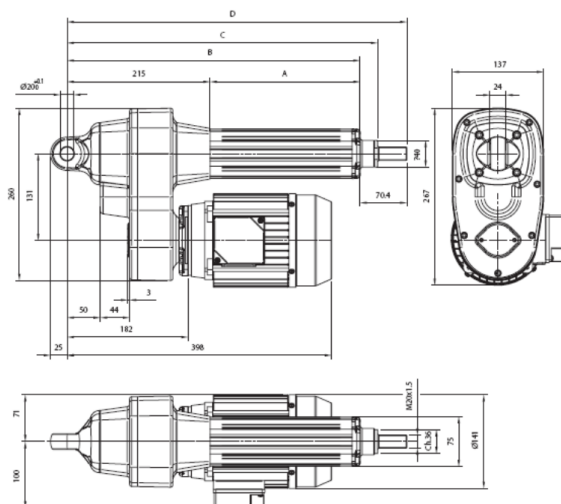


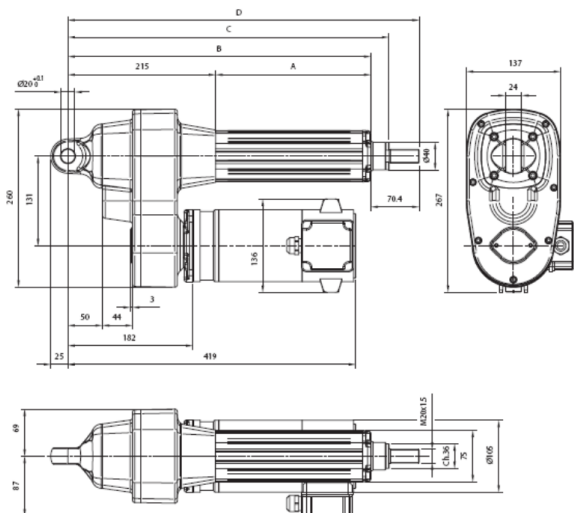
AL15-P



DIMENSIONI RELATIVE A MOTORIZZAZIONE IECI E LA LE QUOTE SONO SOGGETTE
A VARIAZIONI IN FUNZIONE DELLA GRANDEZZA E TIPOLOGIA DEL MOTORE.
DIMENSIONS ACCORDING TO MOTOR SIZE ECI IN THE TABLE SUITABLE
FOR MODIFICATIONS ACCORDING SIZE AND TYPE OF MOTOR.

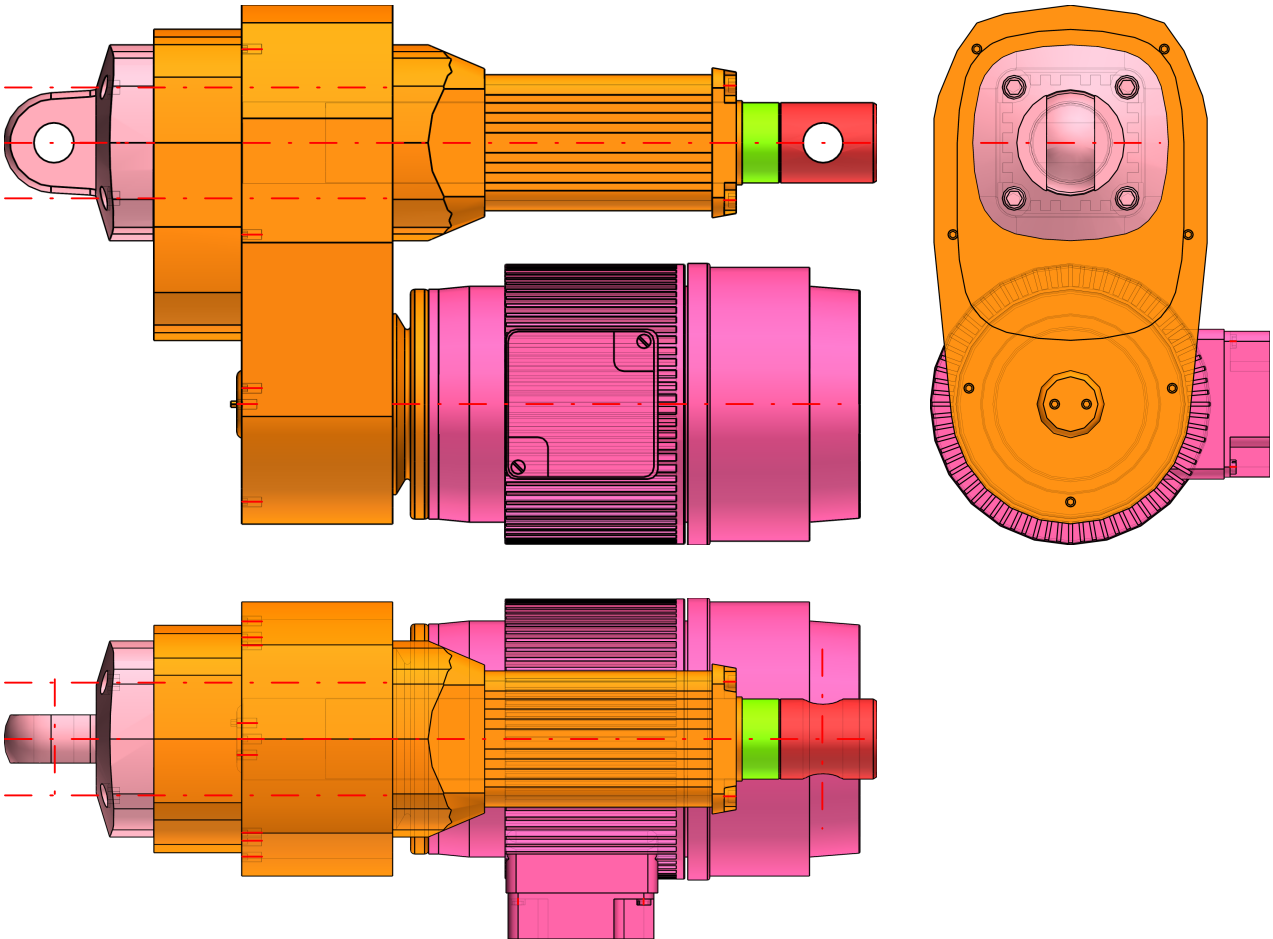
QUOTA DIMENSION	Corsa < a 500 mm. Stroke < to 500 mm.	Corsa > a 500 mm. Stroke > to 500 mm.	CORSA < a 500 mm+AR Stroke < to 500 mm+AR	CORSA > a 500 mm+AR Stroke > to 500 mm+AR
A	75 + corsa/stroke	96 + corsa/stroke	91 + corsa/stroke	111 + corsa/stroke
B	291 + corsa/stroke	311 + corsa/stroke	306 + corsa/stroke	326 + corsa/stroke
C	318 + corsa/stroke	338 + corsa/stroke	333 + corsa/stroke	353 + corsa/stroke
D	362 + corsa/stroke	382 + corsa/stroke	377 + corsa/stroke	397 + corsa/stroke

AL15-P-CC



DIMENSIONI RELATIVE A MOTORIZZAZIONE IECI E LA LE QUOTE SONO SOGGETTE
A VARIAZIONI IN FUNZIONE DELLA GRANDEZZA E TIPOLOGIA DEL MOTORE.
DIMENSIONS ACCORDING TO MOTOR SIZE ECI IN THE TABLE SUITABLE
FOR MODIFICATIONS ACCORDING SIZE AND TYPE OF MOTOR.

QUOTA DIMENSION	Corsa < a 500 mm. Stroke < to 500 mm.	Corsa > a 500 mm. Stroke > to 500 mm.	CORSA < a 500 mm+AR Stroke < to 500 mm+AR	CORSA > a 500 mm+AR Stroke > to 500 mm+AR
A	76 + corsa/stroke	96 + corsa/stroke	91 + corsa/stroke	111 + corsa/stroke
B	291 + corsa/stroke	311 + corsa/stroke	306 + corsa/stroke	326 + corsa/stroke
C	318 + corsa/stroke	338 + corsa/stroke	333 + corsa/stroke	353 + corsa/stroke
D	362 + corsa/stroke	382 + corsa/stroke	377 + corsa/stroke	397 + corsa/stroke



IDNR (Type of actuator)	ALI5-P
C (Stroke / mm)	50
CC (Pistons stroke / mm)	0
VS (Version)	M13
MOT (Motor)	CA
TS1 (Voltage / V)	400-50
TIPO (Type)	M
GR (Size / mm)	71
NP (N° Pole)	2
PW (Power / kW)	0,55
NG (Rpm)	1400
FT (Motorflange type)	71B14
TS (Service rate)	S3
CI (Insulation class)	-
GP1 (Protection Class)	-
FR (Brake)	-
OO (Options)	-
OMF (Limit switches and motor position)	-
OMO (Terminalbox position)	1
ENC (Encoder)	-
FCM (Mechanical limit switsches)	-
GP (Protection Class)	IP65
DA (Antirotaion device / mm)	-
AP (Rear ends)	P1
AA (Frontend / mm)	A1
OPZ1 (Bellows)	-
OPZ2 (Viton seals)	-
OPZ3 (Painting)	-
OPZ4 (Safety nut)	-
OPZ5 (Handweel on motor)	-
OPZ7 (Torque limiter)	-



Cross gears
ALI5-P-AC

PDF DATASHEET

© 1992-2016 CADENAS GmbH

Last Modification (geometry): 26 Apr 2012 00:00:00

Datum vytvoření datového listu: 26 Jan 2016
10:10:17

Kusovník

N°	Označení	Množství
1	ALI5-P/0050/M13/CA-400-50-M-71-2-0,55/S3++71B14+++//1////IP65/-/P1/A1/////	1