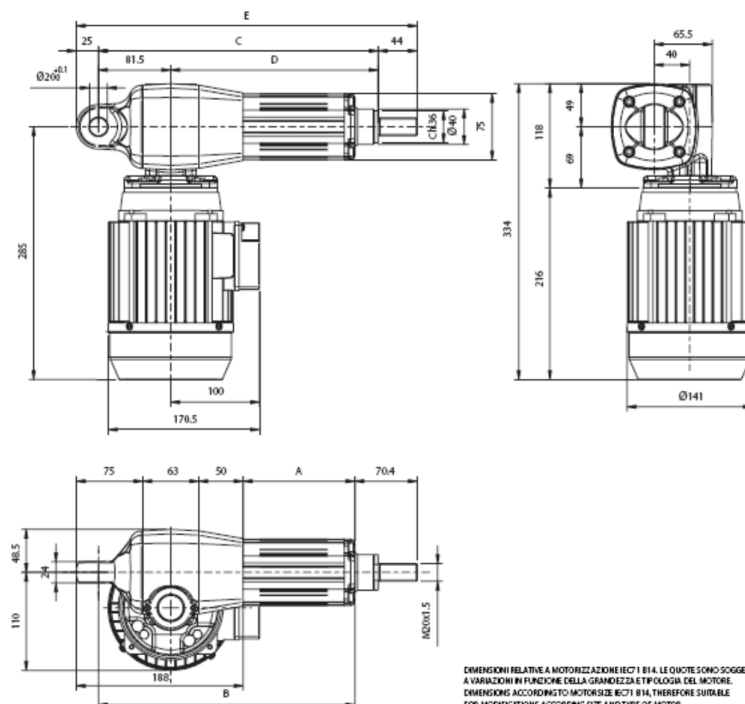
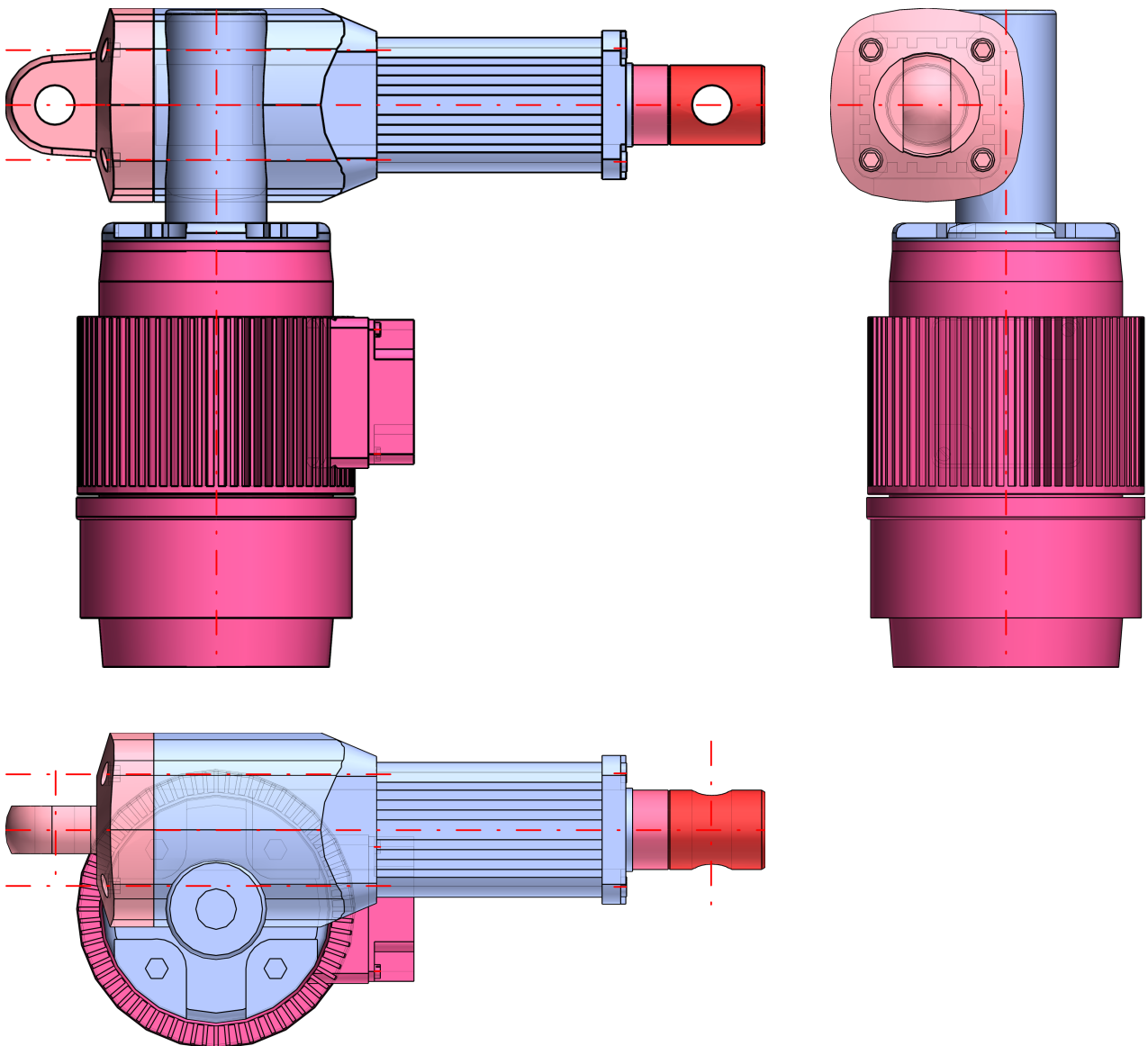


AL15



DIMENSIONI RELATIVE A MOTORIZZAZIONE IEC71 B14. LE QUOTE SONO SOGGETTE
A VARIAZIONI IN FUNZIONE DELLA GRANDEZZA E TIPOLOGIA DEL MOTORE.
DIMENSIONS ACCORDING TO MOTOR SIZE IEC71 B14 THEREFORE SUITABLE
FOR MODIFICATIONS ACCORDING SIZE AND TYPE OF MOTOR.

QUOTA DIMENSION	Corsa < a 500 mm. Stroke < to 500 mm.	Corsa > a 500 mm. Stroke > to 500 mm.	CORSA < a 500 mm+AR Stroke < to 500 mm+AR	CORSA > a 500 mm+AR Stroke > to 500 mm+AR
A	76 + corsa/stroke	96 + corsa/stroke	91 + corsa/stroke	111 + corsa/stroke
B	239 + corsa/stroke	259 + corsa/stroke	254 + corsa/stroke	274 + corsa/stroke
C	265 + corsa/stroke	285 + corsa/stroke	280 + corsa/stroke	300 + corsa/stroke
D	184 + corsa/stroke	204 + corsa/stroke	199 + corsa/stroke	219 + corsa/stroke
E	334 + corsa/stroke	354 + corsa/stroke	349 + corsa/stroke	369 + corsa/stroke



IDNR (Type of actuator)	ALI5
C (Stroke / mm)	50
CC (Push-rod stroke / mm)	0
VS (Version)	M02
MOT (Motor)	CA
TS1 (Voltage / V)	400-50
TIPO (Type)	M
GR (Size / mm)	71
NP (N° Pole)	2
PW (Power / kW)	0,55
NG (Rpm)	2800
OM (Motor position)	M0
FT (Motorflange type)	71B14
TS (Service rate)	S3
CI (Insulation class)	-
GP1 (Protection Class)	-
FR (Brake)	-
OO (Options)	-
OMF (Limit switches and motor position)	-
OMO (Terminalbox position)	1
ENC (Encoder)	-
FCM (Mechanical limit switsches)	-
GP (Protection Class)	IP65
DA (Antirotation device)	-
AP (Rear end)	P1
AA (Front attachment)	A1
OPZ1 (Protection bellows)	-
OPZ2 (Painting)	-
OPZ3 (Safety nut)	-
OPZ4 (Handweel on motor)	-
OPZ6 (Torque limiter)	-
OPZ7 (Additional shaft)	-



Worm gearbox
ALI5-AC

PDF DATASHEET

© 1992-2016 CADENAS GmbH

Last Modification (geometry): 26 Apr 2012 00:00:00

Datum vytvoření datového listu: 26 Jan 2016
10:29:05

Kusovník

N°	Označení	Množství
1	ALI5/0050/M02/CA-400-50-M-71-2-0,55/S3+71B14+++//M0/1///IP65//P1/A1/////	1