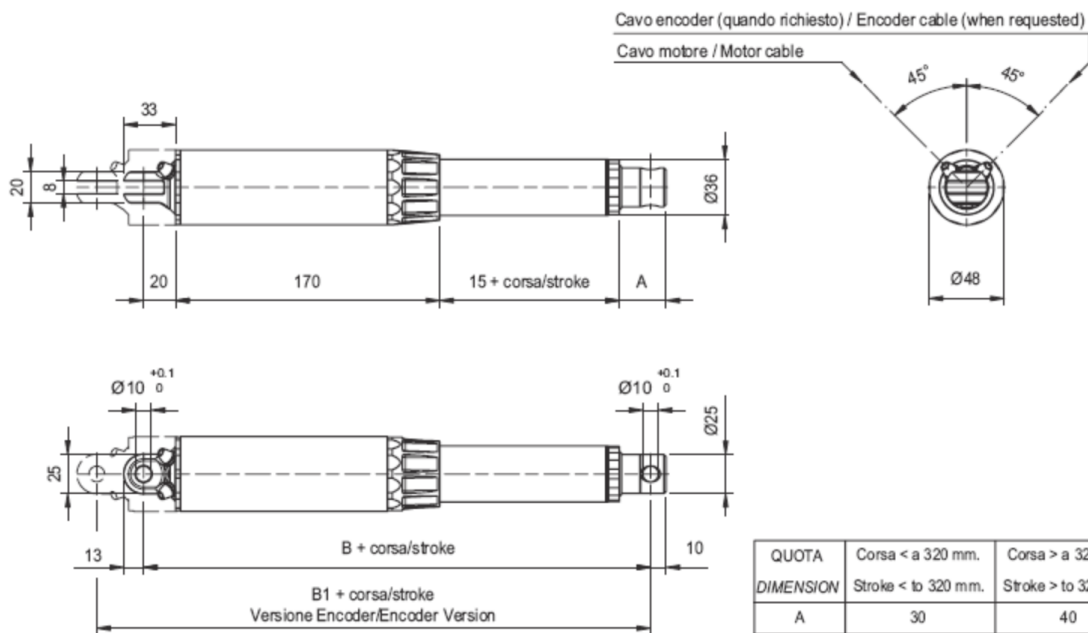
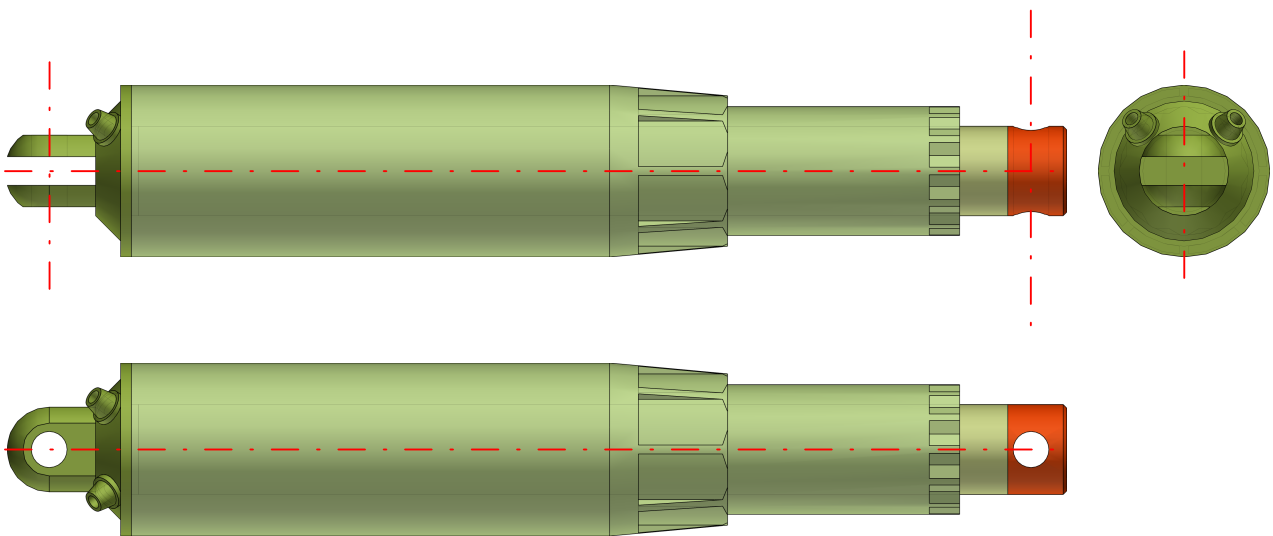


**L02**



QUOTA	Corsa < a 320 mm.	Corsa > a 320 mm.
<i>DIMENSION</i>	Stroke < to 320 mm.	Stroke > to 320 mm.
A	30	40
B	225 + corsa/stroke	235 + corsa/stroke
B1	255 + corsa/stroke	265 + corsa/stroke



<b>IDNR (Type of actuator)</b>	L02
<b>C (Stroke / mm)</b>	50
<b>CC (Stroke of push rod (of lead screw) / mm)</b>	0
<b>VS (Version / mm)</b>	M05
<b>TS1 (Voltage / mm)</b>	12
<b>FCM (Mechanical limit switches / mm)</b>	-
<b>ENC (Encoder)</b>	-
<b>DA (Antirotation device / mm)</b>	-
<b>AP (Rear end / mm)</b>	P1
<b>AA (Frontend)</b>	A1
<b>OPZ1 (Stainless steel)</b>	-
<b>OPZ2 (Painting)</b>	-
<b>OPZ3 (Safety nut (patented))</b>	-
<b>OPZ5 (Protection bellows)</b>	-



## Actuator without limit switches

L02

# PDF DATASHEET

© 1992-2016 CADENAS GmbH

Last Modification (geometry): 2 Mai 2012 00:00:00

Datum vytvoření datového listu: 26 Jan 2016  
15:59:02

### Kusovník

N°	Označení	Množství
1	L02/0050/M05/12///AR1/P1/A1///	1